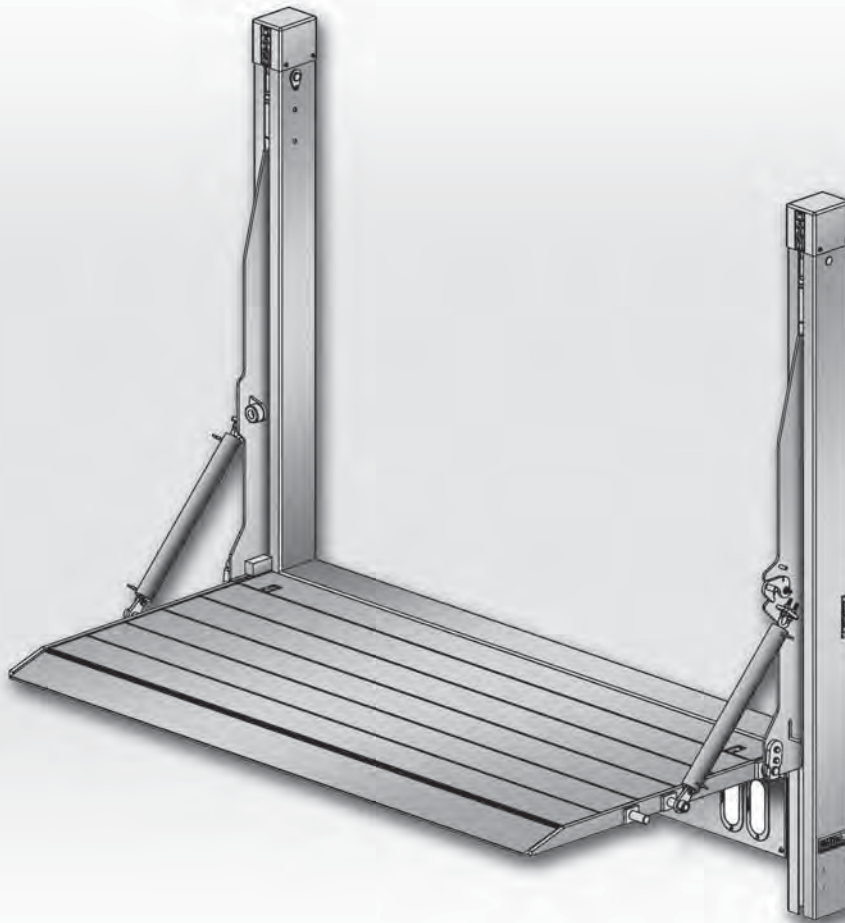


M-12-22
NOVEMBER 2012



MAXON[®] DMD Series

MAINTENANCE MANUAL DMD-22 & DMD-33



MAXON[®]

LIFT CORP.

11921 Slauson Ave.
Santa Fe Springs, CA. 90670

CUSTOMER SERVICE:

TELEPHONE (562) 464-0099 TOLL FREE (800) 227-4116

FAX: (888) 771-7713

NOTE: For latest version of all Manuals (and replacements), download the Manuals from Maxon's website at www.maxonlift.com.

WARRANTY/ RMA POLICY & PROCEDURE

LIFTGATE WARRANTY

Type of Warranty: Full Parts and Labor
Term of Warranty: Standard Liftgates - 2 years from ship date or 6,000 cycles
Premium Liftgates - 2 years from ship date or 10,000 cycles

This warranty shall not apply unless the product is installed, operated and maintained in accordance with MAXON Lift's specifications as set forth in MAXON Lift's Installation, Operation and Maintenance manuals. This warranty does not cover normal wear, maintenance or adjustments, damage or malfunction caused by improper handling, installation, abuse, misuse, negligence, or carelessness of operation. In addition, this warranty does not cover equipment that has had unauthorized modifications or alterations made to the product.

MAXON agrees to replace any components which are found to be defective during the first 2 years of service, and will reimburse for labor based on MAXON's Liftgate Warranty Flat Rate Schedule. (Copy of the Flat Rate is available at www.maxonlift.com.)

All warranty repairs must be performed by an authorized MAXON warranty facility. For any repairs that may exceed \$500, including parts and labor, MAXON's Technical Service Department must be notified and an "Authorization Number" obtained.

All claims for warranty must be received within 30 Days of the repair date, and include the following information:

1. Liftgate Model Number and Serial Number
2. The End User must be referenced on the claim
3. Detailed Description of Problem
4. Corrective Action Taken, and Date of Repair
5. Parts used for Repair, Including MAXON Part Number(s)
6. MAXON R.M.A. # and/or Authorization # if applicable (see below)
7. Person contacted at MAXON if applicable
8. Claim must show detailed information i.e. Labor rate and hours of work performed

Warranty claims can also be placed online at www.maxonlift.com. Online claims will be given priority processing.

All claims for warranty will be denied if paperwork has not been received or claim submitted via Maxon website for processing by MAXON's Warranty Department within 30 days of repair date.

All components may be subject to return for inspection, prior to the claim being processed. MAXON products may not be returned without prior written approval from MAXON's Technical Service Department. Returns must be accompanied by a copy of the original invoice or reference with original invoice number and are subject to a credit deduction to cover handling charges and any necessary reconditioning costs. **Unauthorized returns will be refused and will become the responsibility of the returnee.**

Any goods being returned to MAXON Lift must be pre-approved for return, and have the R.M.A. number written on the outside of the package in plain view, and returned freight prepaid. All returns are subject to a 15% handling charge if not accompanied by a detailed packing list. Returned parts are subject to no credit and returned back to the customer. Defective parts requested for return must be returned within 30 days of the claim date for consideration to:

MAXON Lift Corp.
10321 Greenleaf Ave., Santa Fe Springs, CA 90670
Attn: RMA# _____

MAXON's warranty policy does not include the reimbursement for travel time, towing, vehicle rental, service calls, oil, batteries or loss of income due to downtime. Fabrication or use of non Maxon parts, which are available from MAXON, are also not covered.

MAXON's Flat Rate Labor Schedule takes into consideration the time required for diagnosis of a problem.

All Liftgates returned are subject to inspection and a 15% restocking fee. Any returned Liftgates or components that have been installed or not returned in new condition will be subject to an additional reworking charge, which will be based upon the labor and material cost required to return the Liftgate or component to new condition.

PURCHASE PART WARRANTY

Term of Warranty: 1 Year from Date of Purchase.

Type of Warranty: Part replacement only. MAXON will guarantee all returned genuine MAXON replacement parts upon receipt and inspection of parts and original invoice.

All warranty replacements parts will be sent out via ground freight. If a rush shipment is requested, all freight charges will be billed to the requesting party.

TABLE OF CONTENTS

| | |
|--|-----------|
| WARNINGS | 6 |
| SAFETY INSTRUCTIONS | 6 |
| LIFTGATE TERMINOLOGY | 9 |
| PERIODIC MAINTENANCE | 10 |
| PERIODIC MAINTENANCE CHECKS | 10 |
| PREVENTATIVE MAINTENANCE (PM) CHECKLIST..... | 11 |
| CHECKING HYDRAULIC FLUID | 12 |
| CHANGING HYDRAULIC FLUID | 14 |
| PRESSURIZING HYDRAULIC SYSTEM..... | 16 |
| TORSION BAR REPLACEMENT & ADJUSTMENT..... | 17 |
| PARTS BREAKDOWN | 22 |
| FINAL ASSEMBLY (1-PIECE PLATFORM, SINGLE TORSION BAR) | 22 |
| FINAL ASSEMBLY (1-PIECE PLATFORM, DUAL TORSION BAR) | 26 |
| FINAL ASSEMBLY (1-PIECE PLATFORM WITH CART STOPS OR ALUMINUM RETENTION RAMP, SINGLE TORSION BAR) | 30 |
| FINAL ASSEMBLY (1-PIECE PLATFORM WITH CART STOPS OR ALUMINUM RETENTION RAMP, DUAL TORSION BAR) | 32 |
| FINAL ASSEMBLY (2-PIECE PLATFORM)..... | 34 |
| MAIN ASSEMBLY (1-PIECE PLATFORM)..... | 38 |
| MAIN ASSEMBLY (2-PIECE PLATFORM)..... | 40 |
| HOUSING COVER ASSEMBLY (WITHOUT LIGHTS)..... | 42 |
| HOUSING COVER ASSEMBLY (WITH FOUR LIGHTS) | 44 |
| HOUSING COVER ASSEMBLY, FOREIGN (6 LIGHTS - RED/WHITE/YELLOW) | 46 |
| HOUSING COVER ASSEMBLY, FOREIGN (6 LIGHTS - 4 RED/2 WHITE) | 48 |
| LH RUNNER (1-PIECE PLATFORM)..... | 50 |
| RH RUNNER (1-PIECE PLATFORM) | 52 |

| | |
|---|-----------|
| LH RUNNER (2-PIECE PLATFORM)..... | 54 |
| RH RUNNER (2-PIECE PLATFORM) | 56 |
| ALUMINUM PLATFORM (1-PIECE WITH SINGLE CART STOP) | 58 |
| ALUMINUM PLATFORM (1-PIECE WITH DUAL CART STOPS) | 62 |
| ALUMINUM PLATFORM (1-PIECE WITH ALUMINUM RETENTION RAMP) | 66 |
| PLATFORM & FLIPOVER ASSEMBLY | 70 |
| PLATFORM & FLIPOVER ASSEMBLY (WITH TORSION BAR)..... | 72 |
| PLATFORM & FLIPOVER ASSEMBLY WITH CART STOPS | 74 |
| PLATFORM & FLIPOVER ASSEMBLY (WITH CARTS STOPS AND TORSION BAR) | 76 |
| FLIPOVER ASSEMBLY (WITH SINGLE CART STOP)..... | 78 |
| FLIPOVER ASSEMBLY (WITH SINGLE CART STOP WITH TORSION BAR)..... | 80 |
| FLIPOVER ASSEMBLY (WITH DUAL CART STOPS) | 82 |
| FLIPOVER ASSEMBLY (WITH DUAL CART STOPS AND TORSION BAR)..... | 84 |
| HYDRAULIC COMPONENTS | 86 |
| 12 VDC POWER UNIT | 88 |
| ELECTRICAL COMPONENTS..... | 90 |
| ATTACH DECALS | 92 |
| SYSTEM DIAGRAMS | 94 |
| PUMP & MOTOR SOLENOID OPERATION | 94 |
| HYDRAULIC SCHEMATIC..... | 95 |
| ELECTRICAL SCHEMATIC..... | 96 |
| ELECTRICAL SCHEMATIC - JUMPER HARNESS ASSEMBLY | 97 |
| ELECTRICAL SCHEMATIC - HOUSING COVER ASSEMBLY (WITHOUT LIGHTS)..... | 98 |
| ELECTRICAL SCHEMATIC - HOUSING COVER ASSEMBLY (WITH FOUR LIGHTS) | 99 |
| ELECTRICAL SCHEMATIC - HOUSING COVER ASSEMBLY, FOREIGN VEHICLE (WITH 6 LIGHTS)..... | 100 |

Comply with the following **WARNINGS** and **SAFETY INSTRUCTIONS** while maintaining Liftgates. See Operation Manual for operating safety requirements.

WARNING

- Do not stand, or allow obstructions, under the platform when lowering the Liftgate. **Be sure your feet are clear of the Liftgate.**
- **Keep fingers, hands, arms, legs, and feet clear of moving Liftgate parts (and platform edges) when operating the Liftgate.**
- **Correctly stow platform when not in use. Extended platforms could create a hazard for people and vehicles passing by.**
- **Disconnect Liftgate power cable from battery** before repairing or servicing Liftgate.
- If it is necessary to stand on the platform while maintaining the Liftgate, keep your feet and any objects clear of the inboard edge of the platform. Your feet or objects on the platform can become trapped between the platform and the Liftgate housing cover.
- Recommended practices for welding on steel parts are contained in the current **AWS (American Welding Society) D1.1 Structural Welding Code - Steel**. Damage to Liftgate and/or vehicle, and personal injury could result from welds that are done incorrectly.
- Recommended practices for welding on aluminum parts are contained in the current **AWS (American Welding Society) D1.2 Structural Welding Code - Aluminum**. Damage to Liftgate and/or vehicle, and personal injury could result from welds that are done incorrectly.

SAFETY INSTRUCTIONS

- Read and understand the instructions in this **Maintenance Manual** before performing maintenance on the Liftgate.
- Before operating the Liftgate, read and understand the operating instructions in **Operation Manual**.
- Comply with all **WARNING** and instruction decals attached to the Liftgate.
- Keep decals clean and legible. If decals are illegible or missing, replace them. Free replacement decals are available from **Maxon Customer Service**.
- Consider the safety and location of bystanders and location of nearby objects when operating the Liftgate. Stand to one side of the platform while operating the Liftgate
- Do not allow untrained persons to operate the Liftgate.
- Wear appropriate safety equipment such as protective eyeglasses, faceshield and clothing while performing maintenance on the Liftgate and handling the battery. Debris from drilling and contact with battery acid may injure unprotected eyes and skin.
- Be careful working by an automotive type battery. Make sure the work area is well ventilated and there are no flames or sparks near the battery. Never lay objects on the battery that can short the terminals together. If battery acid gets in your eyes, immediately seek first aid. If acid gets on your skin, immediately wash it off with soap and water.

MAXON[®]

11921 Slauson Ave. Santa Fe Springs, CA. 90670 (800) 227-4116 FAX (888) 771-7713

- If an emergency situation arises (vehicle or Liftgate) while operating the Liftgate, release the control switch to stop the Liftgate.
- A correctly installed Liftgate operates smoothly and reasonably quiet. The only noticeable noise during operation comes from the power unit while the platform is raised. Listen for scraping, grating and binding noises and correct the problem before continuing to operate Liftgate.
- Use only **Maxon Authorized Parts** for replacement parts. Provide Liftgate model and serial number information with your parts order. Order replacement parts from:

MAXON LIFT CORP. Customer Service
11921 Slauson Ave., Santa Fe Springs, CA 90670

Online: www.maxonlift.com

Express Parts Ordering: Phone (800) 227-4116 ext. 4345

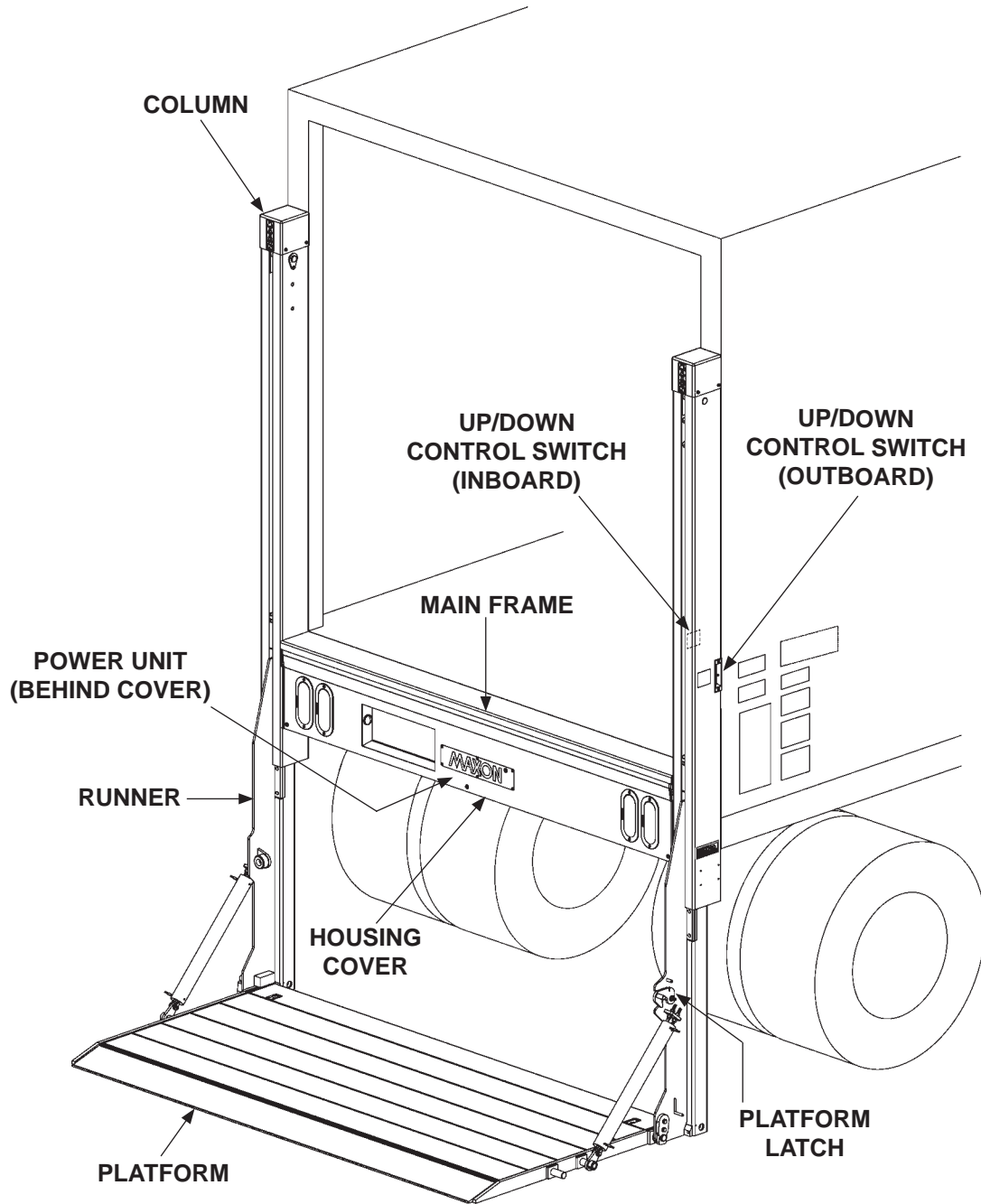
Email: Ask your Customer Service representative

THIS PAGE INTENTIONALLY LEFT BLANK

MAXON[®]

11921 Slauson Ave. Santa Fe Springs, CA. 90670 (800) 227-4116 FAX (888) 771-7713

LIFTGATE TERMINOLOGY



PERIODIC MAINTENANCE

PERIODIC MAINTENANCE CHECKS

WARNING

Never operate the Liftgate with parts loose or missing.

NOTE: Photocopy the PM CHECKLIST on the next page to help keep track of periodic maintenance on the Liftgate. Keep completed form with maintenance records.

Annually

Visually check the entire Liftgate for excessively worn parts and broken welds, especially the hinge pins. See **Parts Manual** for replacement parts. Also, do the **Semi-annual** and **Quarterly Maintenance** checks.

Semi-annually

Visually check the platform hinge pins for excessive wear and broken welds. See **Parts Manual** for replacement parts. Also, do the **Quarterly Maintenance** checks.

Quarterly

Check the hydraulic fluid level in the pump reservoir. Refer to the **CHECKING HYDRAULIC FLUID** procedure in the **PERIODIC MAINTENANCE** section.

- If hydraulic fluid appears contaminated, refer to the **CHANGING HYDRAULIC FLUID** procedure on following page.
- Keep track of the grade of hydraulic fluid in the pump reservoir. Never mix two different grades of fluid.
- Check lines and fittings for chaffing and fluid leaks. Replace if necessary.
- Check electrical wiring for chaffing and make sure wiring connections are tight and free of corrosion. **MAXON** recommends using dielectric grease on all electrical connections.
- Check that all **WARNING** and **instruction decals** are in place and legible.
- Check for loose or missing nuts, bolts, covers, roll pins, screws and pins.

CAUTION

Damaged cylinder seals and contaminated hydraulic fluid can result from painting the polished portion of the cylinder rod. To prevent damage, protect the exposed polished portion of the cylinder rod while painting.

- Check for rust and oily surfaces on Liftgate. If there is rust or oil on the Liftgate, clean it off. Touch up the paint where bare metal is showing.

PREVENTATIVE MAINTENANCE (PM) CHECKLIST

PM Interval: 3 Months

Date: ___ / ___ / ___

Equipment: _____

W/O # _____

Location: _____

Mechanic: _____

Serial # _____

Model # _____

Check Appropriate Box. “ ”

| MAXON 1 st , 2 nd and 3 rd Quarter Liftgate Preventative Maintenance (PM) Procedures | | | | |
|---|-----------------|-----------|----|--|
| Satisfactory | Repair Required | Corrected | 1 | Verify if the Quarterly or Annual PM is due by checking the PM sticker on the curbside Liftgate column. |
| Satisfactory | Repair Required | Corrected | 2 | Check for oil leaks at: cylinders, valves, and fittings. |
| Satisfactory | Repair Required | Corrected | 3 | Check for damage: platform, column, runners and hydraulic tubes. |
| Satisfactory | Repair Required | Corrected | 4 | Check for loose or missing nuts, bolts, covers, roll pins, screws and pins. |
| Satisfactory | Repair Required | Corrected | 5 | Check for cracked welds at: columns, runners, platform, main housing and vehicle door frame. |
| Satisfactory | Repair Required | Corrected | 6 | Check platform lowering speed: Range is 16 - 30 seconds. Check cylinder lock valves for proper operation. |
| Satisfactory | Repair Required | Corrected | 7 | Check platform pins and couplers. |
| Satisfactory | Repair Required | Corrected | 8 | Check platform raising speed: Range is 12-13 seconds. |
| Satisfactory | Repair Required | Corrected | 9 | Check that platform unlatches, unfolds & folds smoothly & latches securely. |
| Satisfactory | Repair Required | Corrected | 10 | Check switches and wiring connections on Liftgate as well as pump inside main housing. Also check ground straps. |
| Satisfactory | Repair Required | Corrected | 11 | Check the gear pump for unusual noise, i.e. squealing or extreme RPM output. |
| Satisfactory | Repair Required | Corrected | 12 | Checking Oil Level: gravity down with the platform unfolded and on the ground. Oil level should be as shown in Installation Manual, "CHECKING HYDRAULIC FLUID". Check for contamination, change if needed. |
| Satisfactory | Repair Required | Corrected | 13 | Check batteries: load test, corrosion, cables, hold downs and water level. |
| Satisfactory | Repair Required | Corrected | 14 | Check all charging and ground cable connections. |
| Satisfactory | Repair Required | Corrected | 15 | Complete a new PM sticker and install it on the curbside column of the Liftgate. The next PM date is 3 months from the completed PM date. Indicate on the PM sticker if 1 st , 2 nd , 3 rd or 4 th PM. |

| MAXON 4 th Quarter Liftgate Preventative Maintenance (PM). Note: Includes steps 1-15 | | | | |
|---|-----------------|-----------|----|-----------------------------|
| Satisfactory | Repair Required | Corrected | 16 | Change hydraulic fluid. |
| Satisfactory | Repair Required | Corrected | 17 | Inspect wear on slide pads. |

For more detailed information, please refer to the product maintenance manuals. Use only genuine Maxon replacement parts for all repairs.

TABLE 11-1

PERIODIC MAINTENANCE CHECKING HYDRAULIC FLUID

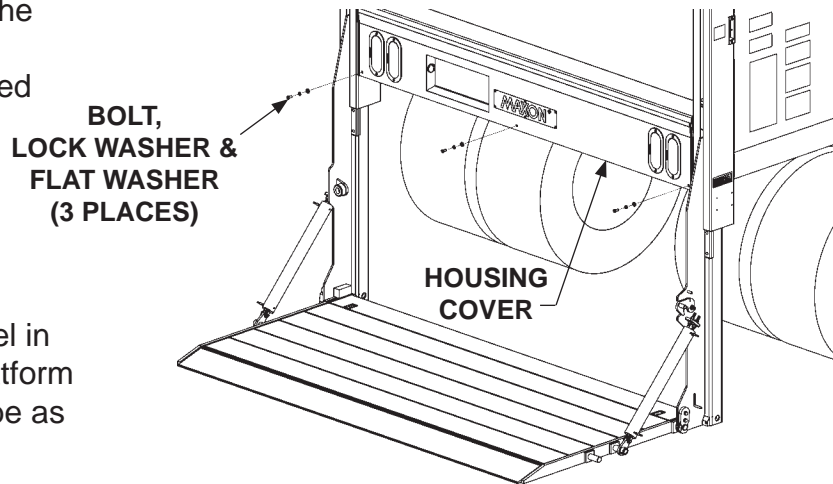
CAUTION

Keep dirt, water and other contaminants from entering the hydraulic system. Before opening the hydraulic fluid reservoir filler cap, drain plug and hydraulic lines, clean up contaminants that can get in the openings. Also, protect the openings from accidental contamination. Never mix synthetic fluids with conventional hydraulic fluids. Hydraulic system must be purged if the fluids are mixed.

NOTE: Liftgate is shipped with **Exxon Univas HVI-13** hydraulic fluid in the hydraulic cylinders. **Exxon Univas HVI-13** hydraulic fluid is recommended for operating temperatures of **-40 to +120° F**. Refer to decal in pump box. Under certain conditions, other brands and grades of oil may be used as substitutes for the recommended oil. Refer to **TABLES 13-1 & 13-2**.

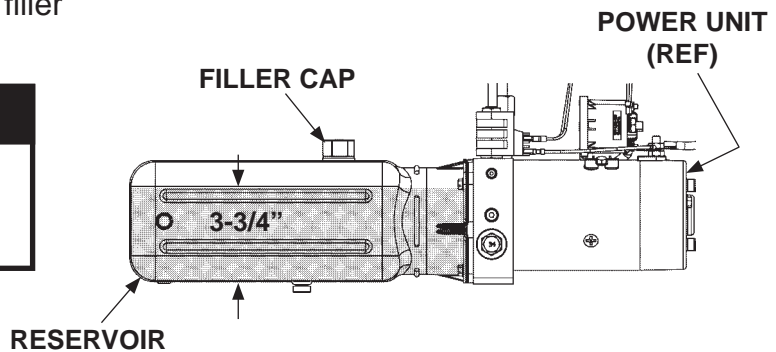
NOTE: If the hydraulic fluid in the reservoir is contaminated, do the **CHANGING HYDRAULIC FLUID** procedure in this section.

1. Open and lower platform to the ground (**FIG. 12-1**). Refer to **Operation Manual** for detailed operating instructions.
2. Unbolt main housing cover as shown in **FIG. 12-1**. Remove cover.
3. Check the hydraulic fluid level in reservoir as follows. With platform on the ground, level should be as shown in **FIG. 12-2**.



**UNBOLTING/ BOLTING COVER
(PLATFORM ON THE GROUND)
FIG. 12-1**

4. If needed, add fluid to the reservoir as follows. Remove filler cap (**FIG. 12-2**). Fill the reservoir with hydraulic fluid to level shown in **FIG. 12-2**. Reinstall filler cap.



**POWER UNIT FLUID LEVEL
FIG. 12-2**

CAUTION

Main housing cover must be correctly secured to prevent it from becoming a hazard.

5. Bolt on the main housing cover as shown in **FIG. 12-1**. Torque the 5/16"-18 cover bolts from **10 to 14 lb-ft**.

| ISO-15 OR MIL-H-5606 TYPE HYDRAULIC OIL | | |
|--|--------------------|--------------------|
| BRAND | PART NUMBER | REMARKS |
| EXXON | UNIVIS HVI-13 | RECOMMENDED |
| AMSOIL | AWF-05 | SUBSTITUTE |
| CHEVRON | FLUID A, AW-MV-15 | SUBSTITUTE |
| KENDALL | GLACIAL BLU | SUBSTITUTE |
| SHELL | TELLUS S2 V15 | SUBSTITUTE |
| MOBIL | DTE-11M | SUBSTITUTE |
| ROSEMEAD | THS FLUID 17111 | SUBSTITUTE |

**ISO-15 SUBSTITUE OILS WHEN RECOMMENDED
OIL IS UNAVAILABLE
TABLE 13-1**

| ISO-32 HYDRAULIC OIL | | |
|-----------------------------|--------------------------------------|----------------|
| BRAND | PART NUMBER | REMARKS |
| AMSOIL | AWH-05 | SUBSTITUTE |
| CHEVRON | HIPERSYN 32 | SUBSTITUTE |
| KENDALL | GOLDEN MV | SUBSTITUTE |
| SHELL | TELLUS S2 V32 | SUBSTITUTE |
| MOBIL | DTE-13M, DTE-24, HYDRAULIC OIL-13 | SUBSTITUTE |
| EXXON | UNIVIS N-32 | SUBSTITUTE |

**ISO-32 SUBSTITUE OILS WHEN SEASONAL
TEMPERATURES ARE NEAR +100°F OR HIGHER
TABLE 13-2**

PERIODIC MAINTENANCE

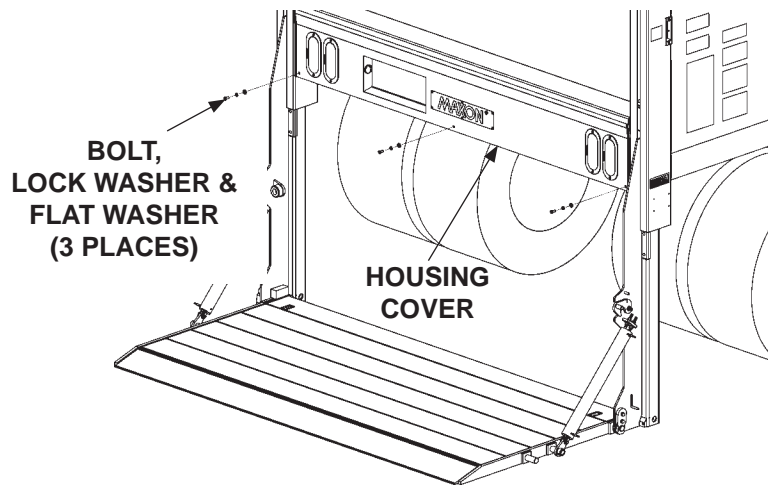
CHANGING HYDRAULIC FLUID

CAUTION

Keep dirt, water and other contaminants from entering the hydraulic system. Before opening the hydraulic fluid reservoir filler cap, drain plug and hydraulic lines, clean up contaminants that can get in the openings. Also, protect the openings from accidental contamination. Never mix synthetic fluids with conventional hydraulic fluids. Hydraulic system must be purged if the fluids are mixed.

NOTE: Liftgate is shipped with **Exxon Univas HVI-13** hydraulic fluid in the hydraulic cylinders. **Exxon Univas HVI-13** hydraulic fluid is recommended for operating temperatures of **-40 to +120° F**. Refer to decal in pump box. Under certain conditions, other brands and grades of oil may be used as substitutes for the recommended oil. Refer to **TABLES 13-1 & 13-2**.

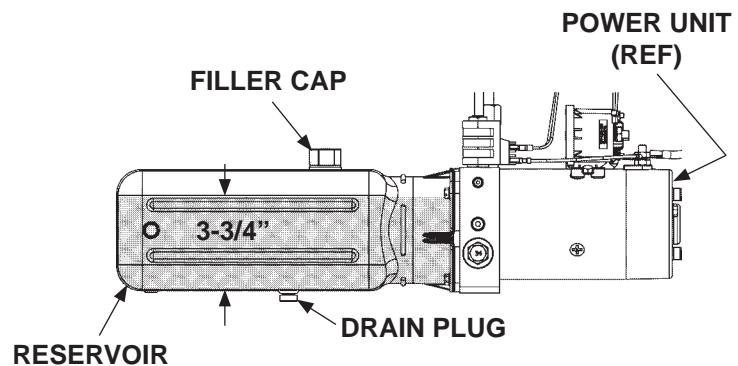
1. Open and lower platform to the ground (**FIG. 14-1**). Refer to **Operation Manual** for detailed operating instructions.



**UNBOLTING COVER
(PLATFORM ON THE GROUND)
FIG. 14-1**

2. Unbolt main housing cover as shown in **FIG. 14-1**. Remove cover.
3. Remove drain plug (**FIG. 14-2**). Then, drain hydraulic fluid from reservoir.

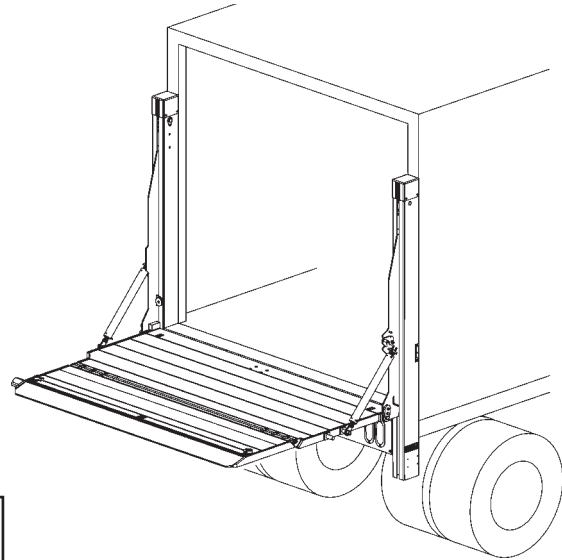
4. Reinstall drain plug (**FIG. 14-2**). Then, add new **Univas HVI-13** hydraulic fluid to level shown in **FIG. 14-2**.



**POWER UNIT
FIG. 14-2**

5. Remove filler cap (**FIG. 14-2**). Then, add new **Univas HVI-13** hydraulic fluid to level shown in **FIG. 14-2**. Reinstall filler cap.

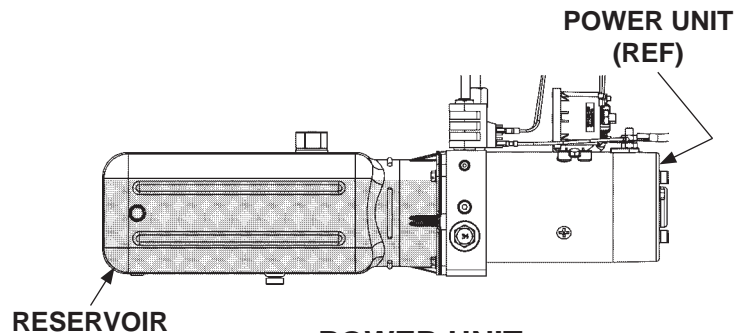
- Raise platform to bed height (**FIG. 15-1**). Continue to hold **UP/DOWN** control switch for 30 - 60 seconds to circulate hydraulic fluid through slave cylinder and reservoir (**FIG. 15-2**). Release **UP/DOWN** control switch.



PLATFORM AT BED HEIGHT
FIG. 15-1

NOTE: Three cycles of draining, filling, and circulating hydraulic fluid should be enough to fill the system with new hydraulic fluid.

- Repeat **instructions 1 through 5**, two times. Keep the platform open and cover removed.

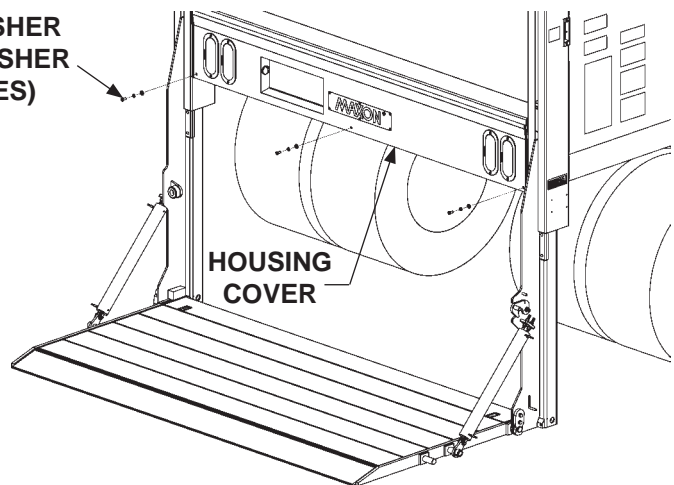


POWER UNIT
FIG. 15-2

- Lower platform to the ground (**FIG. 15-3**).

CAUTION
Main housing cover must be correctly secured to prevent it from becoming a hazard.

BOLT, LOCK WASHER & FLAT WASHER (3 PLACES)



BOLTING ON COVER
FIG. 15-3

- Bolt on the main housing cover as shown in **FIG. 15-3**. Torque the 5/16"-18 cover bolts from **10 to 14 lb-ft**.

PERIODIC MAINTENANCE

PRESSURIZING HYDRAULIC SYSTEM

⚠ CAUTION

Operating Liftgate, under certain conditions, with air in system could result in damage to lift and load as well as personal injury. If lines are opened & closed or replaced, and if power unit or cylinders are replaced, pressurize hydraulic system before operating Liftgate with a passenger or load.

NOTE: When pump pressurizes fluid in hydraulic system, air is bled into reservoir through slave cylinder return line.

Hold the **UP/DOWN** control switch (**FIG. 16-1**) in the **UP** position for 30 - 60 seconds to pressurize hydraulic system and bleed air from system.

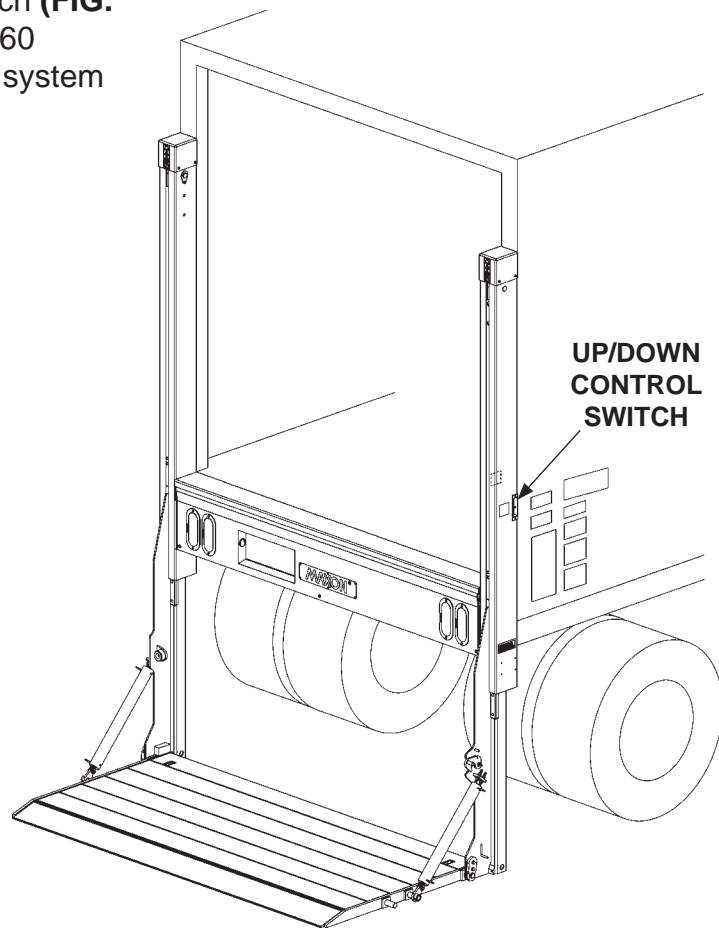


FIG. 16-1

MAXON[®]

11921 Slauson Ave. Santa Fe Springs, CA. 90670 (800) 227-4116 FAX (888) 771-7713

TORSION BAR REPLACEMENT & ADJUSTMENT

REPLACE LH TORSION BAR

WARNING

Ensure platform is latched securely in stowed position to release most tension from torsion bar(s) and keep platform from suddenly unfolding. Injury could result from unbolting the torsion bar under tension. When all tension is released from torsion bar(s), platform can unfold suddenly. Any person in the path of opening platform could be injured.

1. Stow platform (**FIG. 17-1**). Ensure platform is latched securely. Refer to **Operation Manual** for detailed operating instructions.
2. Support bottom of platform and flipover evenly on RH and LH sides (**FIG. 17-1**).

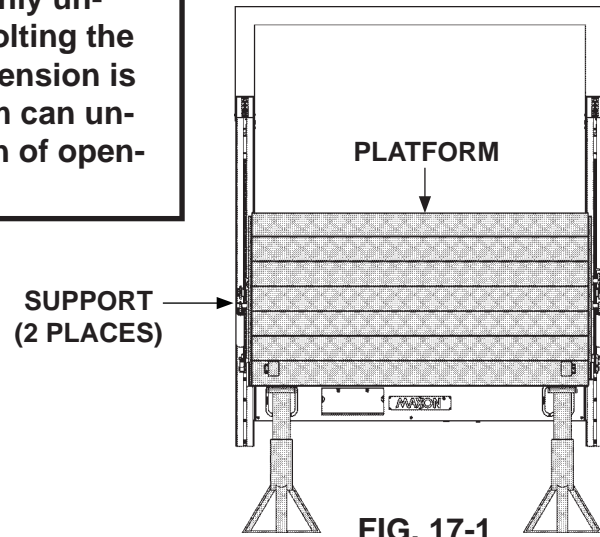


FIG. 17-1

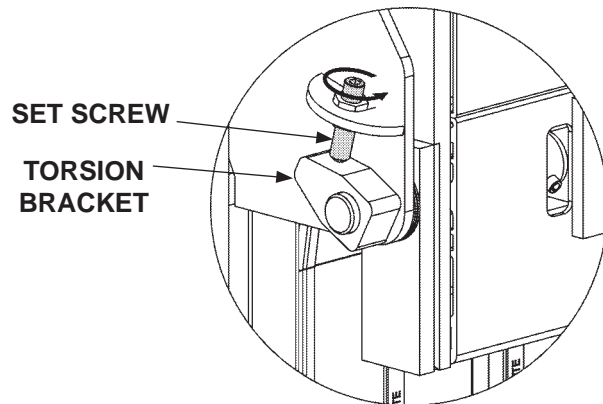


FIG. 17-2

3. On LH runner, adjust the torsion bracket set screw counter-clockwise (**FIG. 17-2**) until there is a small gap between set screw and the torsion bracket (**FIG. 17-2**). Gap indicates tension is removed from torsion bar.
4. Drive roll pin from pin collar and torsion bar pin (**FIG. 17-3**). Then, remove torsion bar pin, spacer and torsion bar (**FIG. 17-3**).

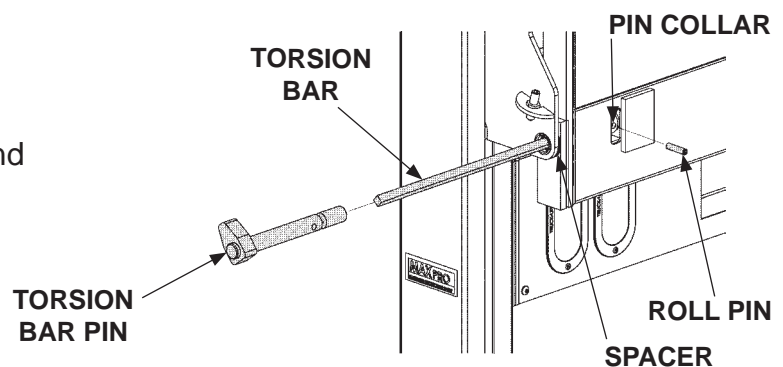


FIG. 17-3

PERIODIC MAINTENANCE

TORSION BAR REPLACEMENT & ADJUSTMENT - Continued

MAXON[®]

11921 Slauson Ave. Santa Fe Springs, CA. 90670 (800) 227-4116 FAX (888) 771-7713

5. Insert torsion bar pin through LH runner, platform, spacer, and pin collar (**FIG. 18-1**). Then, rotate torsion bar to position shown (**FIG. 18-1**) and depending on platform, engage with torsion bar pin on RH side of platform (**FIG. 18-2**), or engage with torsion bar housing (anchor stop weldment, P/N 285799-01) as shown in **FIG. 18-3**.
6. Line up holes in pin collar and torsion bar pin (**FIG. 18-1**). Secure collar to torsion bar pin with roll pin.
7. Ensure platform is latched securely in stow position. Then, remove platform supports.

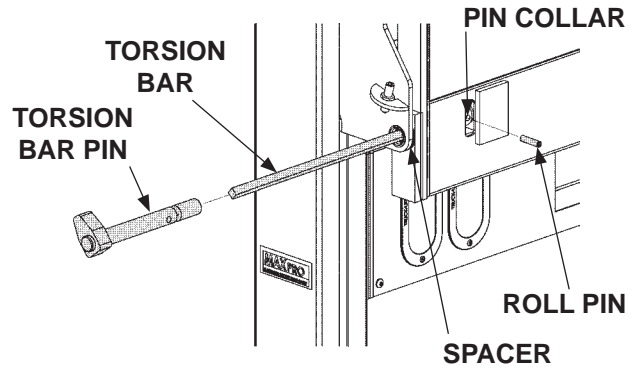


FIG. 18-1

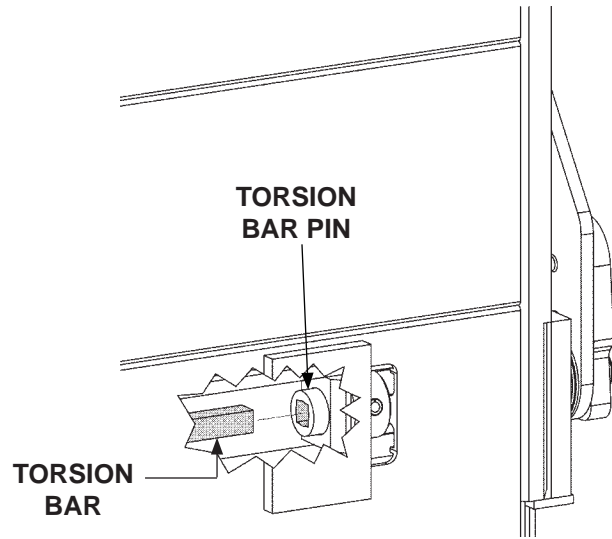


FIG. 18-2

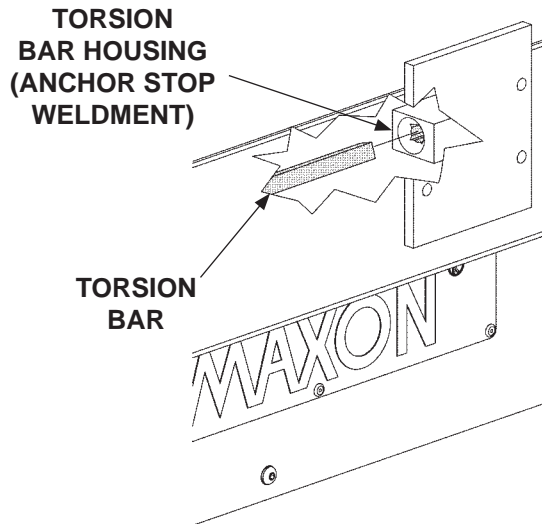


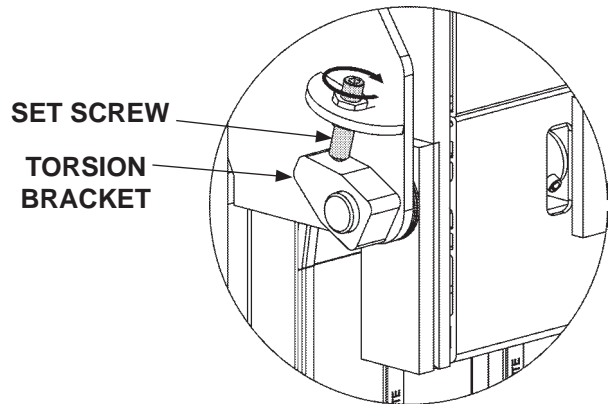
FIG. 18-3

ADJUST LH TORSION BAR

WARNING

Platform can unfold suddenly with no tension on torsion bar. Stay out of the path of unfolding platform when adjusting the torsion bar. Get second person to help unlatch platform.

1. Stow platform. Refer to **Operation Manual** for detailed operating instructions.
2. On LH runner, adjust the torsion bracket set screw clockwise until tension is applied to torsion bar (**FIG. 19-1**).
3. Unlatch platform (**FIG. 19-2**). Platform should just escape the latch as shown in **FIG. 19-2, position 1**.
4. Unfold platform until pin is 2"-3" from latch (**FIG. 19-2, position 2**). Release hold on platform to observe if platform starts to fold, stays partially unfolded, or starts falling open with no restraint. Platform should require a little more pull to unfold and should unfold slowly when released (**FIG. 19-2, position 3**). To increase the amount of pull for unfolding platform, adjust the torsion bracket set screw clockwise until increased tension is applied to torsion bar. To decrease amount of pull, adjust the torsion bracket set screw counter-clockwise until tension is removed from torsion bar (**FIG. 19-3**). To keep the platform from falling open, adjust set screw clockwise (**FIG. 19-1**) until platform just starts to fold from **position 2** as shown in **FIG. 19-2**.
5. Platform can be stowed or returned to operation after adjustment is done correctly.



INCREASE PULL
FIG. 19-1

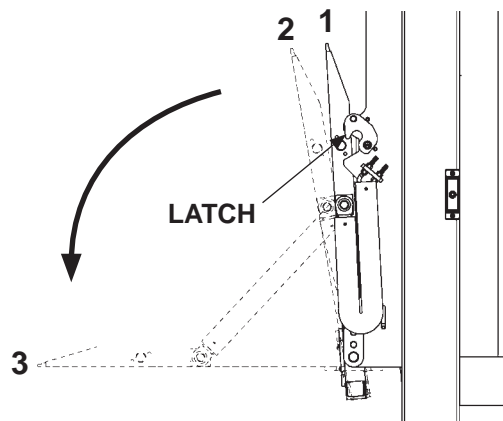
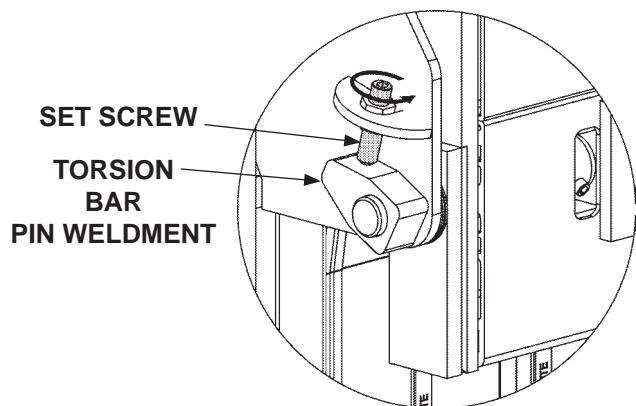


FIG. 19-2



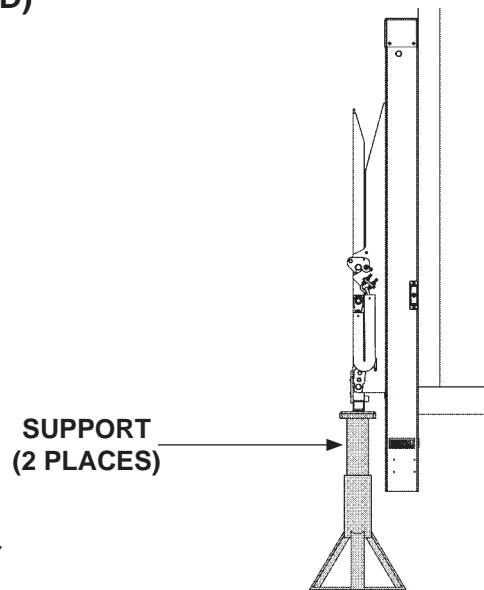
DECREASE PULL
FIG. 19-3

PERIODIC MAINTENANCE

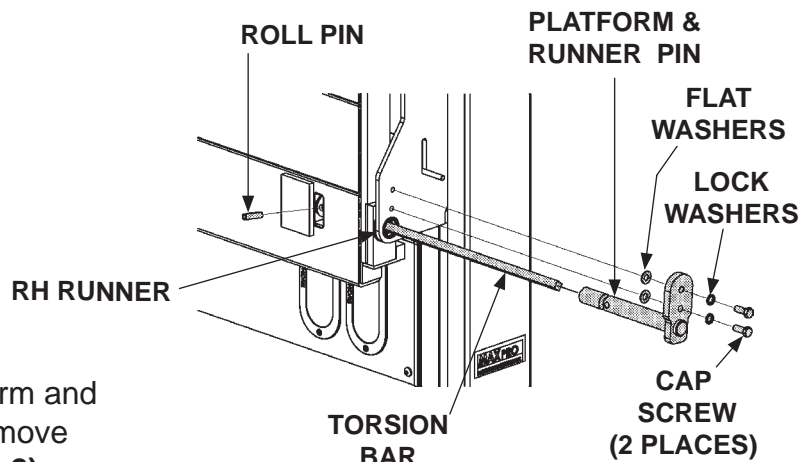
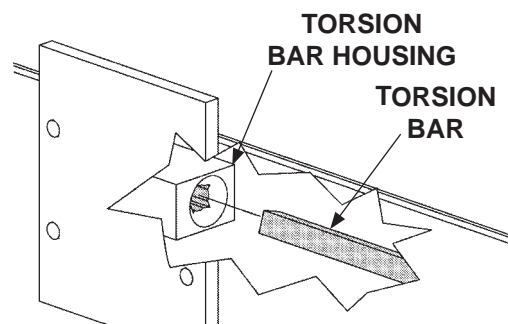
TORSION BAR REPLACEMENT & ADJUSTMENT - Continued

REPLACE RH TORSION BAR (IF EQUIPPED)

1. Stow platform. Refer to **Operation Manual** for detailed operating instructions.
2. Support bottom of platform and flipover evenly on RH and LH sides (**FIG. 20-1**).
3. On RH runner, unbolt the platform and runner pin from RH runner (**FIG. 20-2**).

**FIG. 20-1**

4. Next, remove roll pin from platform and runner pin (**FIG. 20-2**). Then, remove platform and runner pin (**FIG. 20-2**).
5. Remove torsion bar from torsion bar housing (**FIG. 20-3**).

**FIG. 20-2****FIG. 20-3**

6. With platform in vertical position, insert the torsion bar into the RH pin weldment through RH runner, platform spacer and pin collar and engage with torsion bar housing weldment (**FIG. 21-1**).

7. Rotate the RH pin weldment clockwise to line up the pin weldment holes with the RH runner threaded holes (**FIG. 21-2**).

8. Line up holes in pin collar and torsion bar pin (**FIG. 21-2**). Secure collar to torsion bar with roll pin on both sides of platform.

9. Ensure platform is latched securely in stow position. Then, remove platform supports.

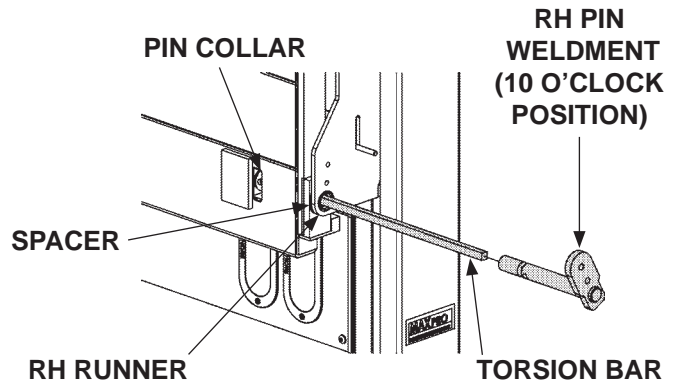


FIG. 21-1

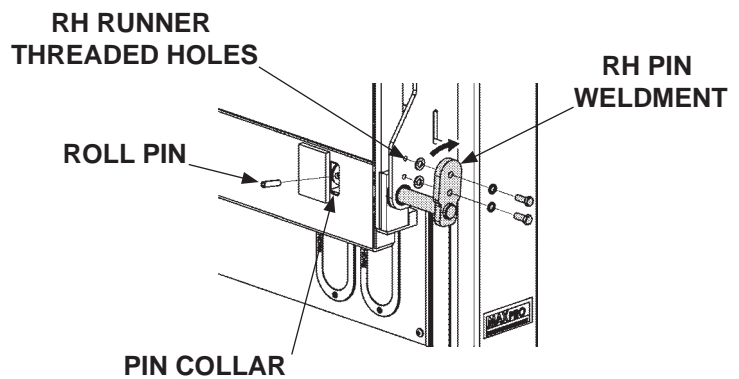


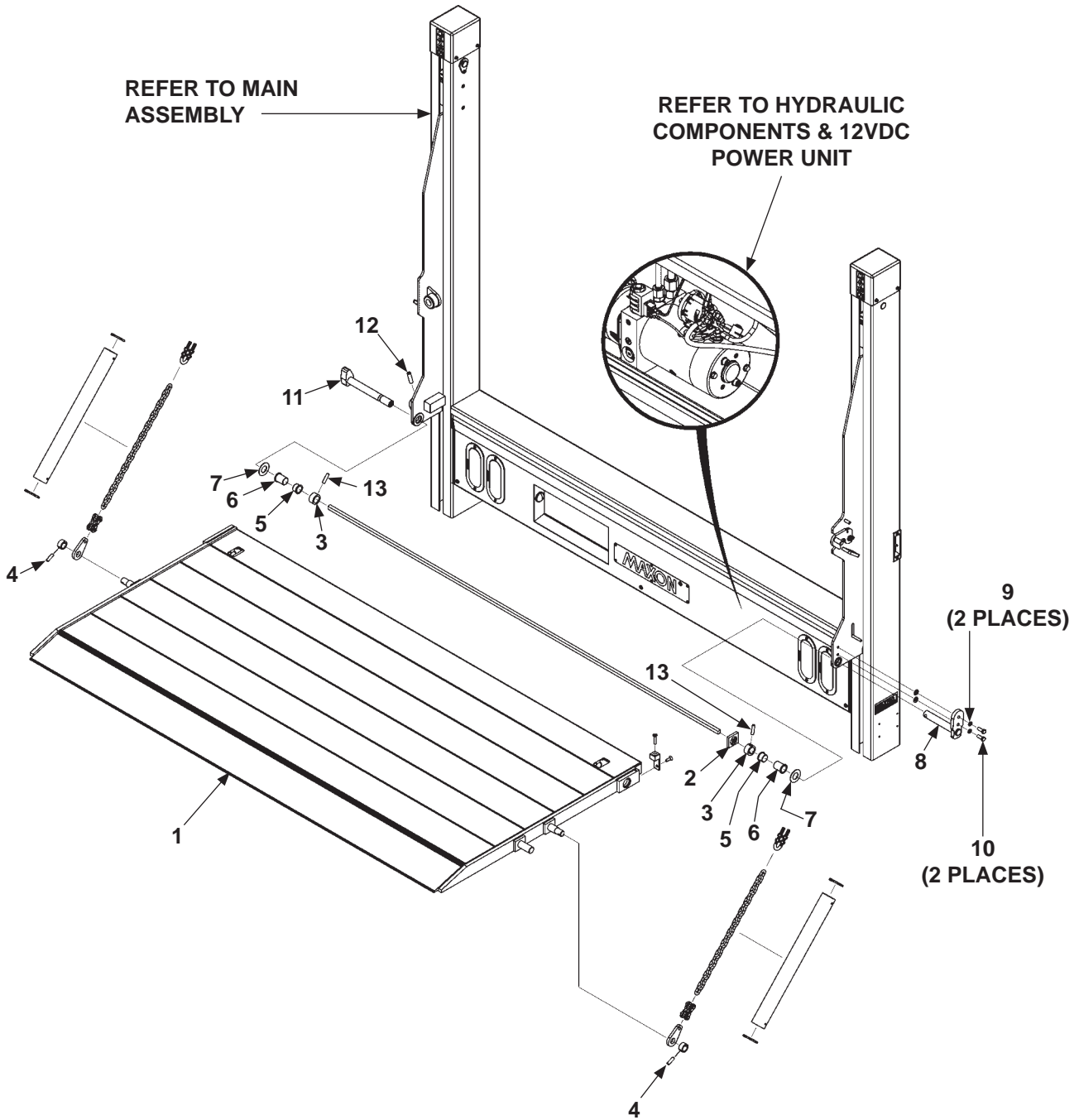
FIG. 21-2

MAXON[®]

11921 Slauson Ave. Santa Fe Springs, CA. 90670 (800) 227-4116 FAX (888) 771-7713

PARTS BREAKDOWN

FINAL ASSEMBLY (1-PIECE PLATFORM, SINGLE TORSION BAR)



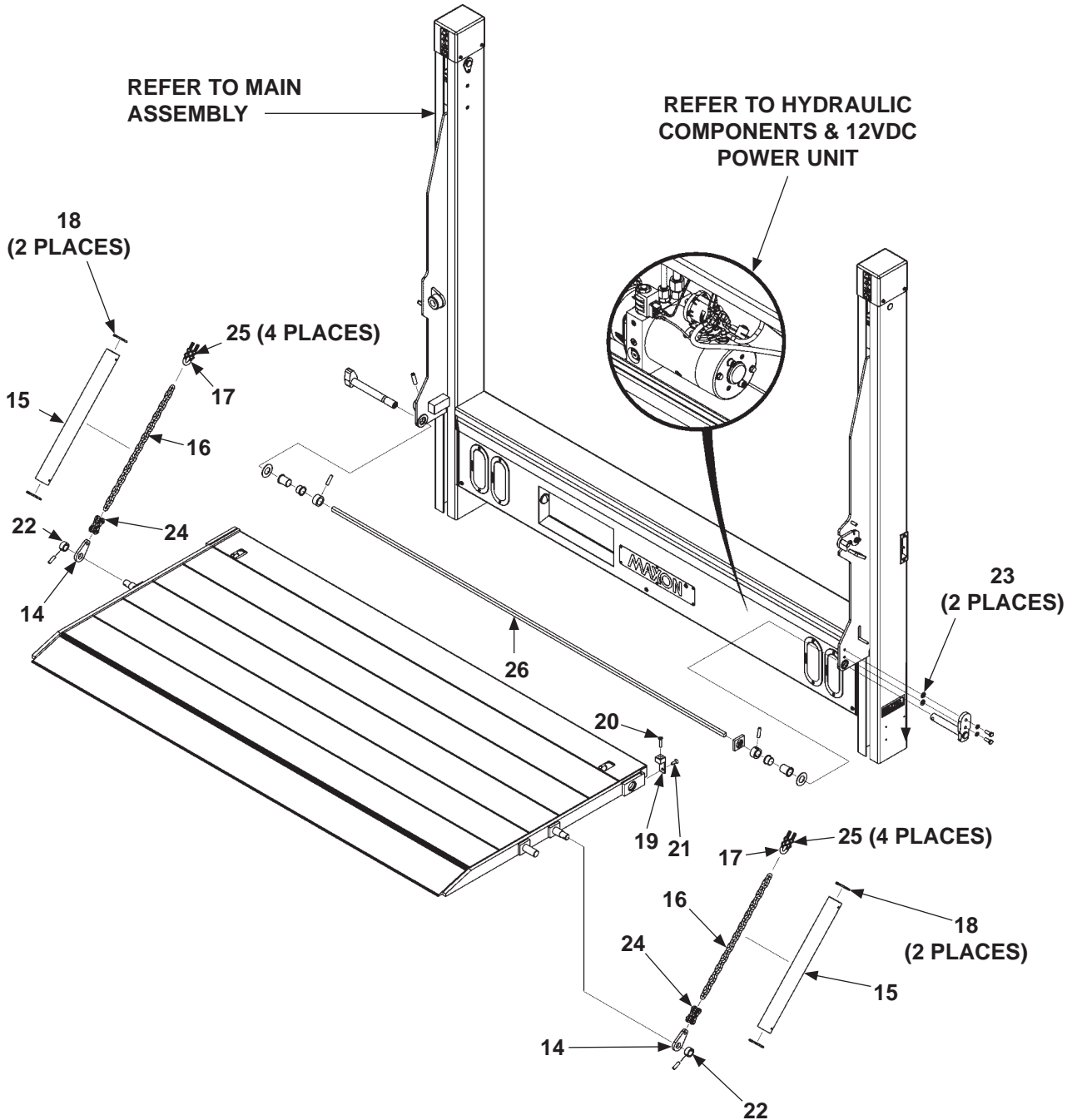
| ITEM | QTY. | DESCRIPTION | PART NO. | | |
|------|------|---|-------------------|-------------------|-------------------|
| | | | 36" DEEP PLATFORM | 42" DEEP PLATFORM | 48" DEEP PLATFORM |
| 1 | 1 | ALUMINUM PLATFORM WELDMENT, 84" WIDE | 285290-01 | 285290-02 | 285290-03 |
| | | ALUMINUM PLATFORM WELDMENT, 90" WIDE | 285290-05 | 285290-06 | 285290-07 |
| | | ALUMINUM PLATFORM WELDMENT, 96" WIDE | 285290-09 | 285290-10 | 285290-11 |
| 2 | 1 | ANCHOR STOP WELDMENT, RH | 285252-01 | | |
| 3 | 2 | PIN COLLAR | 253630 | | |
| 4 | 2 | ROLL PIN, 3/8" X 1-1/2" LG. | 904723-04 | | |
| 5 | 2 | PLASTIC FLANGE BUSHING, 1" I.D. X 3/4" LG. | 261837-02 | | |
| 6 | 2 | PLASTIC FLANGE BUSHING 1" I.D. X 1-1/2" LG. | 261837-08 | | |
| 7 | 2 | FIBERGLIDE THRUST BEARING, 1" I.D. | 905146-03 | | |
| 8 | 1 | PIN, PLATFORM AND RUNNER, RH, 6-7/16" LG. | 284070-02 | | |
| | | PIN, PLATFORM AND RUNNER, RH, 6-7/16" LG. | 284070-03 | | |
| 9 | 2 | LOCK WASHER, 3/8" | 903448-02 | | |
| 10 | 2 | HEX CAP SCREW, 3/8" - 16 X 1" LG. | 900764-06 | | |
| 11 | 1 | TORSION BAR PIN WELDMENT | 285992-01 | | |
| 12 | 1 | HEX SET SCREW, 1/2"-20 X 2" LG. | 901209-09 | | |
| 13 | 2 | ROLL PIN, 3/8" X 1-1/4" LG. | 904723-03 | | |

PARTS BREAKDOWN

FINAL ASSEMBLY (1-PIECE PLATFORM, SINGLE TORSION BAR) - Continued

⚠ CAUTION

MAXON recommends replacing LH & RH platform support chains as a set. Possible harm to users or bystanders and/or equipment damage could result if chains are only replaced one at a time.



MAXON[®]

11921 Slauson Ave. Santa Fe Springs, CA. 90670 (800) 227-4116 FAX (888) 771-7713

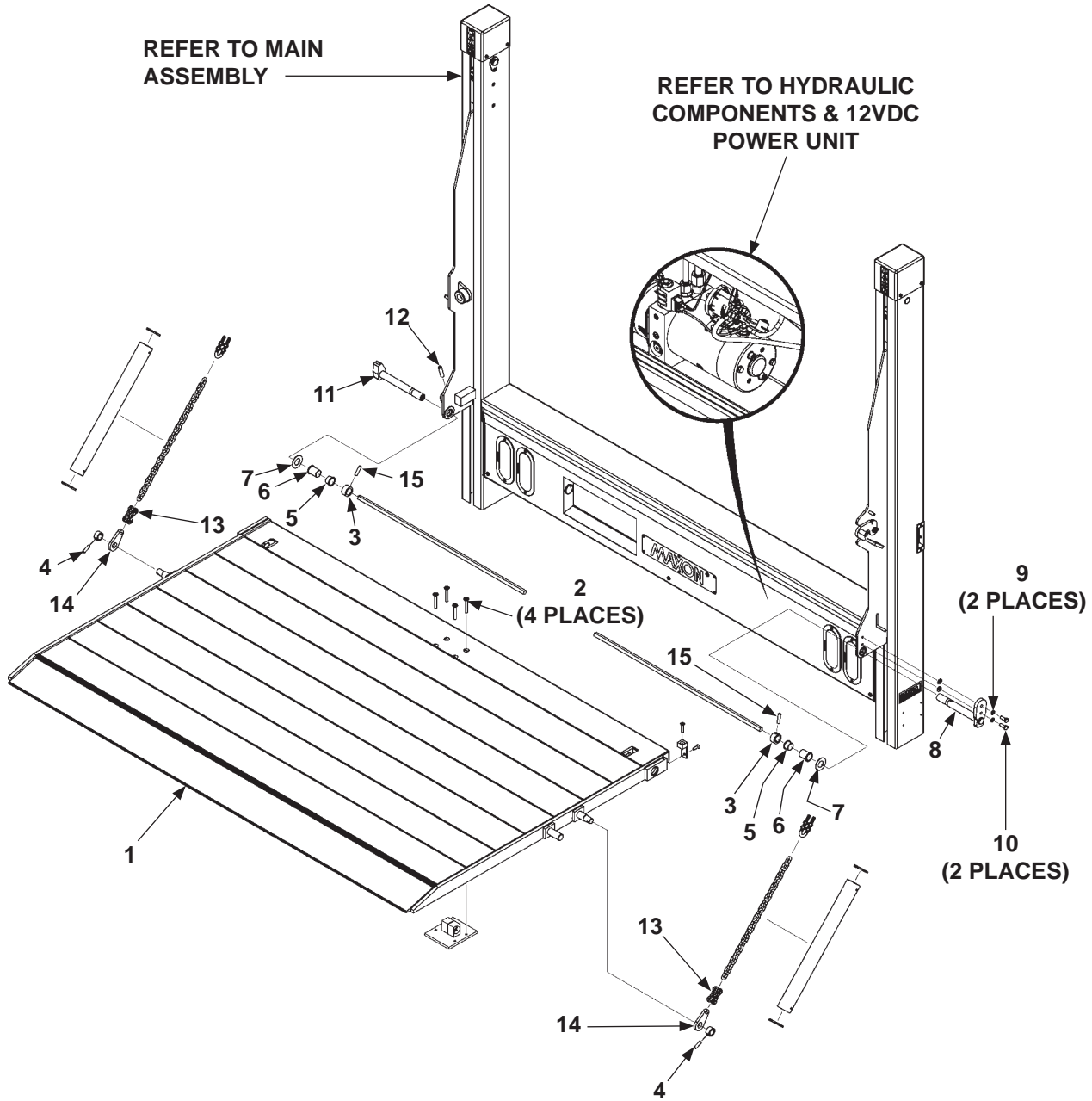
| ITEM | QTY. | DESCRIPTION | PART NO. | | |
|------|------|--|-------------------|-------------------|-------------------|
| | | | 36" DEEP PLATFORM | 42" DEEP PLATFORM | 48" DEEP PLATFORM |
| 14 | 2 | CHAIN HOLDER BRACKET | 285990-01 | | |
| 15 | 2 | PROTECTIVE CHAIN SLEEVE, 21" LG. | 261609-16 | | |
| 16 | 2 | CHAIN (1/4") X 22" LG. | 283209-02 | | |
| 17 | 2 | U-BOLT, 3/8"-16 X 3-3/8" LG. | 283721-01 | | |
| 18 | 4 | PLASTIC TIE, 7" LG. | 205780 | | |
| 19 | 1 | WEAR PLATE | 285579-01 | | |
| 20 | 1 | FLAT HEAD SOCKET CAP SCREW, 5/16"-18 X 1-1/2"LG. | 900712-01 | | |
| 21 | 1 | FLAT HEAD SOCKET CAP SCREW, 5/16"-18 X 1" LG. | 900712-02 | | |
| 22 | 2 | CHAIN HOLDER BRACKET SPACER | 283537-01 | | |
| 23 | 2 | FLAT WASHER, 3/8" X 1/16"- 3/32" THICK | 903447-01 | | |
| 24 | 2 | CHAIN SHACKLE | 285989-01 | | |
| 25 | 8 | LOCK WASHER, 3/8" | 902019-5 | | |
| 26 | 1 | TORSION BAR | 263041-08 | 263041-09 | 263041-10 |

PARTS BREAKDOWN

FINAL ASSEMBLY (1-PIECE PLATFORM, DUAL TORSION BAR)

MAXON®

11921 Slauson Ave. Santa Fe Springs, CA. 90670 (800) 227-4116 FAX (888) 771-7713



| ITEM | QTY. | DESCRIPTION | PART NO. | | |
|------|------|---|-------------------|-------------------|-------------------|
| | | | 84" WIDE PLATFORM | 90" WIDE PLATFORM | 96" WIDE PLATFORM |
| 1 | 1 | ALUMINUM PLATFORM WELDMENT | 285290-04 | 285290-08 | 285290-12 |
| 2 | 4 | FLAT HEAD SOCKET SCREW, 3/8"-16 X 2-1/2" LG. | 900061-10 | | |
| 3 | 2 | PIN COLLAR | 253630 | | |
| 4 | 2 | ROLL PIN, 3/8" X 1-1/2" LG. | 904723-04 | | |
| 5 | 2 | PLASTIC FLANGE BUSHING, 1" I.D. X 3/4" LG. | 261837-02 | | |
| 6 | 2 | PLASTIC FLANGE BUSHING, 1" I.D. X 1-1/2" LG. | 261837-08 | | |
| 7 | 2 | FIBERGLIDE THRUST BEARING, 1" I.D. | 905146-03 | | |
| 8 | 1 | PIN, PLATFORM AND RUNNER, RH, 6-7/16" LG. | 284070-02 | | |
| | | PIN, PLATFORM AND RUNNER, RH, 6-7/16" LG. | 284070-03 | | |
| 9 | 2 | LOCK WASHER, 3/8" | 903448-02 | | |
| 10 | 2 | HEX CAP SCREW, 3/8"-16 X 1" LG. | 900764-06 | | |
| 11 | 1 | TORSION BAR PIN WELDMENT | 285992-01 | | |
| 12 | 1 | HEX SET SCREW, 1/2"-20 X 2" LG. | 901209-09 | | |
| 13 | 2 | CHAIN SHACKLE | 285989-01 | | |
| 14 | 2 | CHAIN HOLDER BRACKET | 285990-01 | | |
| 15 | 2 | ROLL PIN, 3/8" X 1-1/4" LG. | 904723-03 | | |

MAXON[®] 11921 Slauson Ave. Santa Fe Springs, CA. 90670 (800) 227-4116 FAX (888) 771-7713

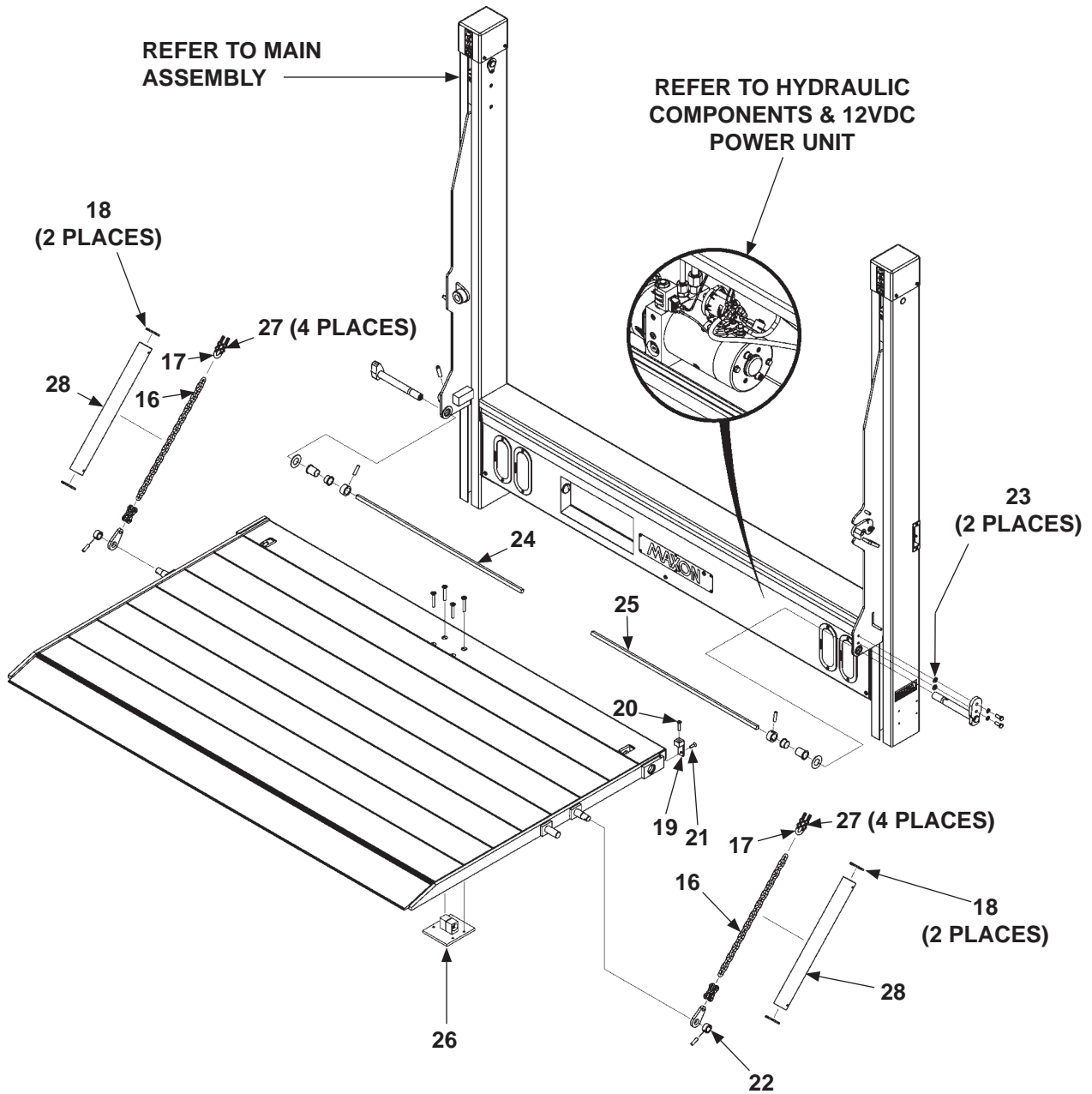
PARTS BREAKDOWN

FINAL ASSEMBLY (1-PIECE PLATFORM, DUAL TORSION BAR)

- Continued

⚠ CAUTION

MAXON recommends replacing LH & RH platform support chains as a set. Possible harm to users or bystanders and/or equipment damage could result if chains are only replaced one at a time.



MAXON®

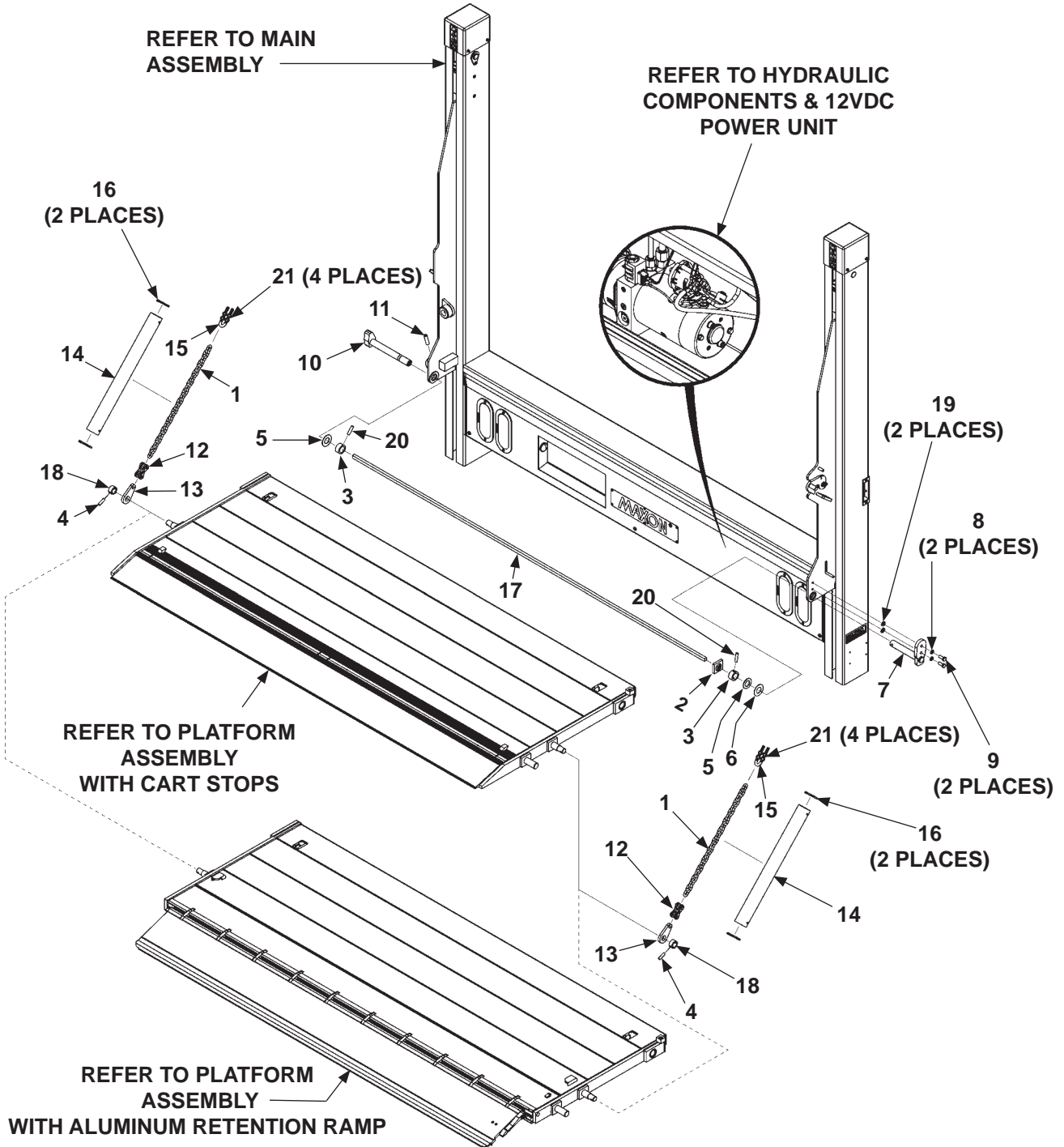
11921 Slauson Ave. Santa Fe Springs, CA. 90670 (800) 227-4116 FAX (888) 771-7713

| ITEM | QTY. | DESCRIPTION | PART NO. | | |
|------|------|--|-------------------|-------------------|-------------------|
| | | | 84" WIDE PLATFORM | 90" WIDE PLATFORM | 96" WIDE PLATFORM |
| 16 | 2 | CHAIN (1/4") X 22" LG. | 283209-02 | | |
| 17 | 2 | U-BOLT, 3/8"-16 X 3-3/8" LG. | 283721-01 | | |
| 18 | 4 | PLASTIC TIE, 7" LG. | 205780 | | |
| 19 | 1 | WEAR PLATE | 285579-01 | | |
| 20 | 1 | FLAT HEAD SOCKET CAP SCREW, 5/16"-18 X 1-1/2"LG. | 900712-01 | | |
| 21 | 1 | FLAT HEAD SOCKET CAP SCREW, 5/16"-18 X 1" LG. | 900712-02 | | |
| 22 | 2 | CHAIN HOLDER BRACKET SPACER | 283537-01 | | |
| 23 | 2 | FLAT WASHER, 3/8" | 903447-01 | | |
| 24 | 1 | TORSION BAR, LH | 263041-12 | 263041-11 | 263041-12 |
| 25 | 1 | TORSION BAR, RH | 263041-12 | 263041-12 | 263041-16 |
| 26 | 1 | TORSION BAR HOUSING WELDMENT | 285799-01 | | |
| 27 | 8 | LOCK WASHER, 3/8" | 902019-5 | | |
| 28 | 2 | PROTECTIVE CHAIN SLEEVE, 21" LG. | 261609-16 | | |

PARTS BREAKDOWN

FINAL ASSEMBLY (1-PIECE PLATFORM WITH CART STOPS OR ALUMINUM RETENTION RAMP, SINGLE TORSION BAR)

⚠ CAUTION
MAXON recommends replacing LH & RH platform support chains as a set. Possible harm to users or bystanders and/or equipment damage could result if chains are only replaced one at a time.



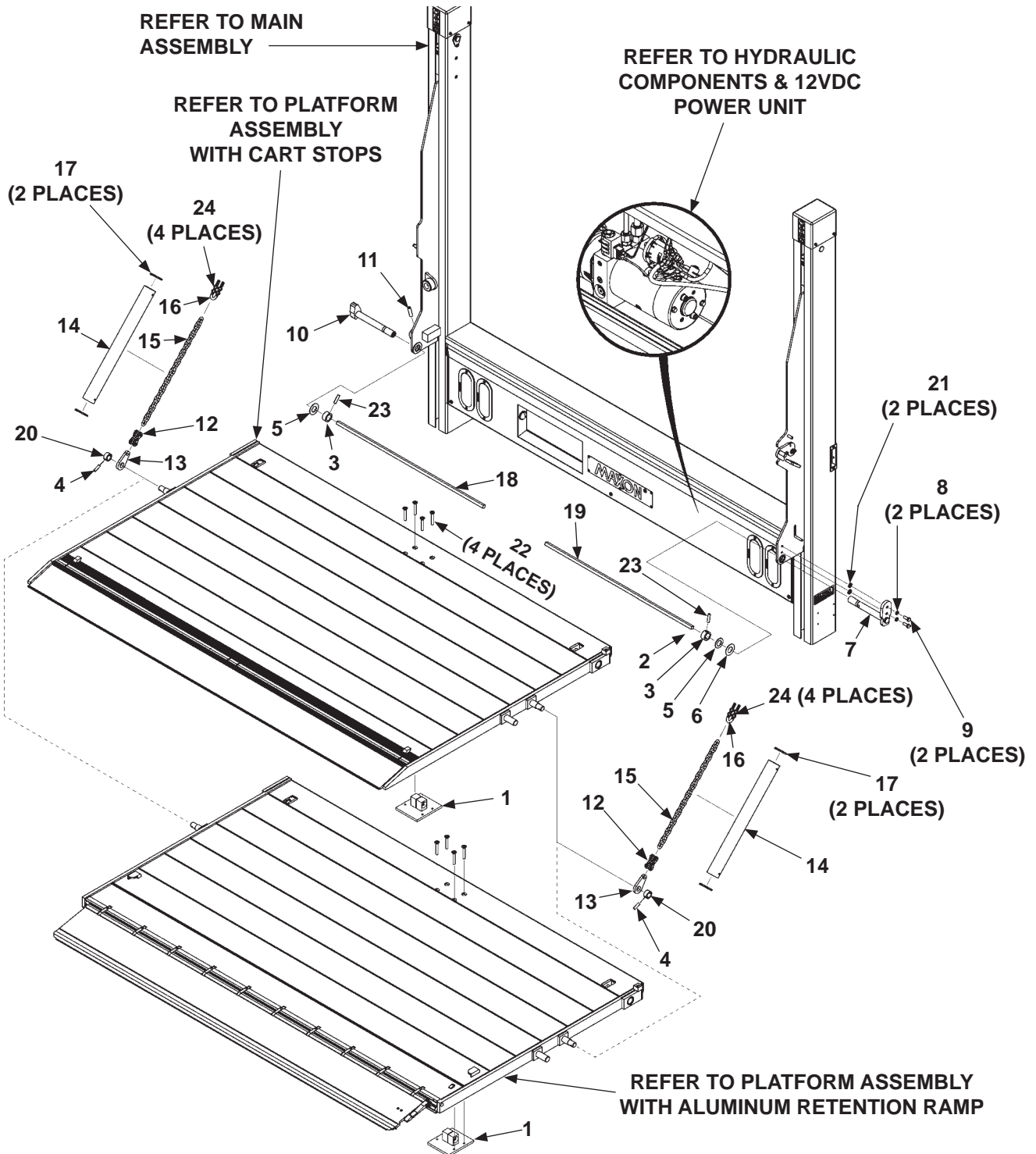
| ITEM | QTY. | DESCRIPTION | PART NO. | | |
|------|------|---|-------------------|-------------------|-------------------|
| | | | 36" DEEP PLATFORM | 42" DEEP PLATFORM | 48" DEEP PLATFORM |
| 1 | 2 | CHAIN (1/4") X 22" LG. | 283209-02 | | |
| 2 | 1 | ANCHOR STOP WELDMENT, RH | 285252-01 | | |
| 3 | 2 | PIN COLLAR | 253630 | | |
| 4 | 2 | ROLL PIN, 3/8" X 1-1/2" LG. | 904723-04 | | |
| 5 | 2 | FLAT WASHER, 1", 3/32" THICK | 902000-24 | | |
| 6 | 2 | FIBERGLIDE THRUST BEARING, 1" I.D. | 905146-03 | | |
| 7 | 1 | PIN, PLATFORM AND RUNNER, RH, 6-7/16" LG. | 284070-02 | | |
| 8 | 2 | LOCK WASHER, 3/8" | 903448-02 | | |
| 9 | 2 | HEX CAP SCREW, 3/8"-16 X 1" LG. | 900764-06 | | |
| 10 | 1 | TORSION BAR PIN WELDMENT | 285992-01 | | |
| 11 | 1 | HEX SET SCREW, 1/2"-20 X 2" LG. | 901209-09 | | |
| 12 | 2 | CHAIN SHACKLE | 285989-01 | | |
| 13 | 2 | CHAIN HOLDER BRACKET | 285990-01 | | |
| 14 | 2 | PROTECTIVE CHAIN SLEEVE, 21" LG. | 261609-16 | | |
| 15 | 2 | U-BOLT, 3/8"-16 X 3-3/8" LG. | 283721-01 | | |
| 16 | 4 | PLASTIC TIE, 7" LG. | 205780 | | |
| 17 | 1 | TORSION BAR | 263041-08 | 263041-09 | 263041-10 |
| 18 | 2 | CHAIN HOLDER BRACKET SPACER | 283537-01 | | |
| 19 | 2 | FLAT WASHER, 3/8" X 1/16" - 3/32" THICK | 903447-01 | | |
| 20 | 2 | ROLL PIN, 3/8" X 1-1/4" LG. | 904723-03 | | |
| 21 | 8 | LOCK WASHER, 3/8" | 902019-5 | | |

PARTS BREAKDOWN

FINAL ASSEMBLY (1-PIECE PLATFORM WITH CART STOPS OR ALUMINUM RETENTION RAMP, DUAL TORSION BAR)

⚠ CAUTION

MAXON recommends replacing LH & RH platform support chains as a set. Possible harm to users or bystanders and/or equipment damage could result if chains are only replaced one at a time.



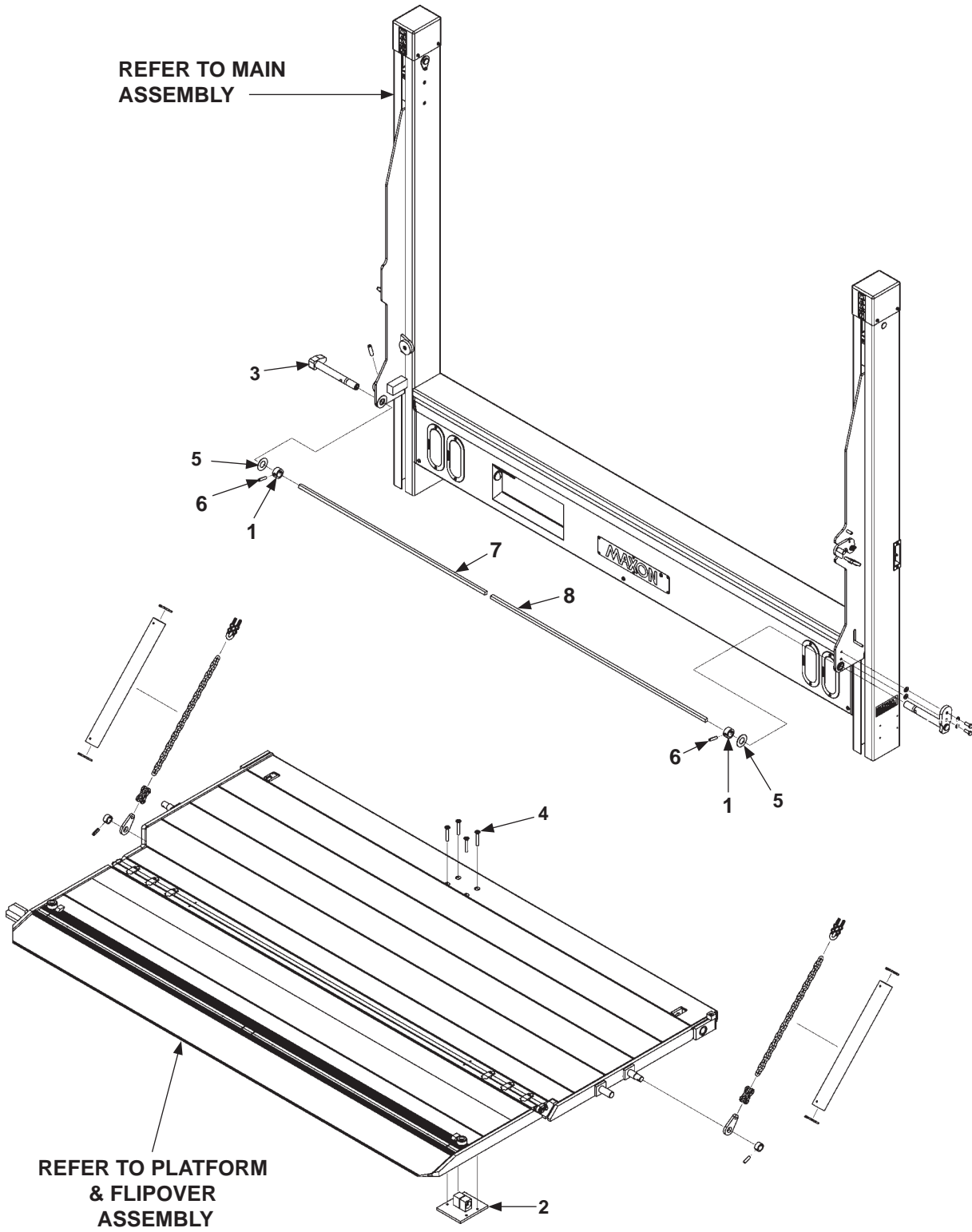
| ITEM | QTY. | DESCRIPTION | PART NO. | | |
|------|------|--|-------------------|-------------------|-------------------|
| | | | 84" WIDE PLATFORM | 90" WIDE PLATFORM | 96" WIDE PLATFORM |
| 1 | 1 | TORSION BAR HOUSING WELDMENT | 285799-01 | | |
| 2 | 1 | ANCHOR STOP WELDMENT, RH | 285252-01 | | |
| 3 | 2 | PIN COLLAR | 253630 | | |
| 4 | 2 | ROLL PIN, 3/8" X 1-1/2" LG. | 904723-04 | | |
| 5 | 2 | FLAT WASHER, 1", 3/32" THICK | 902000-24 | | |
| 6 | 2 | FIBERGLIDE THRUST BEARING, 1" I.D. | 905146-03 | | |
| 7 | 1 | PIN, PLATFORM AND RUNNER, RH | 284070-03 | 284070-04 | 284070-03 |
| 8 | 2 | LOCK WASHER, 3/8" | 903448-02 | | |
| 9 | 2 | HEX CAP SCREW, 3/8"-16 X 1" LG. | 900764-06 | | |
| 10 | 1 | TORSION BAR PIN WELDMENT | 285992-03 | | |
| 11 | 1 | HEX SET SCREW, 1/2"-20 X 2" LG. | 901209-09 | | |
| 12 | 2 | CHAIN SHACKLE | 285989-01 | | |
| 13 | 2 | CHAIN HOLDER BRACKET | 285990-01 | | |
| 14 | 2 | PROTECTIVE CHAIN SLEEVE, 21" LG. | 261609-16 | | |
| 15 | 2 | CHAIN (1/4") X 20" LG. | 283209-02 | | |
| 16 | 2 | U-BOLT, 3/8"-16 X 3-3/8" LG. | 283721-01 | | |
| 17 | 4 | PLASTIC TIE, 7" LG. | 205780 | | |
| 18 | 1 | TORSION BAR, LH | 263041-12 | 263041-11 | 263041-12 |
| 19 | 1 | TORSION BAR, RH | 263041-12 | 263041-12 | 263041-16 |
| 20 | 2 | CHAIN HOLDER BRACKET SPACER | 283537-01 | | |
| 21 | 2 | FLAT WASHER, 3/8" | 903447-01 | | |
| 22 | 4 | FLAT HD SKT SCREW, 3/8"-16 X 2-1/2" LG | 900061-10 | | |
| 23 | 2 | ROLL PIN, 3/8" X 1-1/4" LG. | 904723-03 | | |
| 24 | 8 | LOCK WASHER, 3/8" | 902019-5 | | |

PARTS BREAKDOWN

FINAL ASSEMBLY (2-PIECE PLATFORM)

MAXON[®]

11921 Slauson Ave. Santa Fe Springs, CA. 90670 (800) 227-4116 FAX (888) 771-7713



| ITEM | QTY. | DESCRIPTION | PART NO. | | | |
|------|------|---|--------------|--------------|--------------|--------------|
| | | | 48" DEEP* | 54" DEEP* | 60" DEEP* | 72" DEEP* |
| 1 | 2 | PIN COLLAR | 253630 | | | |
| 2 | 1 | TORSION BAR HOUSING WELDMENT | 285799-01 | | | |
| 3 | 1 | TORSION BAR PIN WELDMENT | 285992-03 | | | |
| 4 | 4 | FLAT HEAD SCREW, 3/8"-16 X 2-1/2" LG. | 900061-10 | | | |
| 5 | 2 | FIBERGLIDE THRUST BEARING, 1" I.D. | 905146-03 | | | |
| 6 | 2 | ROLL PIN, 3/8" X 1-1/2" LG. | 904723-04 | | | |
| 7 | 1 | TORSION BAR, LH (80" WIDE PLATFORM ASSEMBLY) | 263041-12 | 263041-13 | 263041-13 | 263041-12 |
| | | TORSION BAR, LH (86" WIDE PLATFORM ASSEMBLY) | 263041-12 | 263041-11 | 263041-11 | 263041-13 |
| | | TORSION BAR, LH (92" WIDE PLATFORM ASSEMBLY) | 263041-12 | 263041-11 | 263041-12 | 263041-12 |
| 8 | 1 | TORSION BAR, RH (80" WIDE PLATFORM ASSEMBLY) | 263041-12 | 263041-19 | 263041-19 | 263041-12 |
| | | TORSION BAR, RH (86" WIDE PLATFORM ASSEMBLY) | 263041-15 | 263041-11 | 263041-11 | 263041-14 |
| | | TORSION BAR, RH (92" WIDE PLATFORM ASSEMBLY) | 263041-16 | 263041-17 | 263041-16 | 263041-17 |

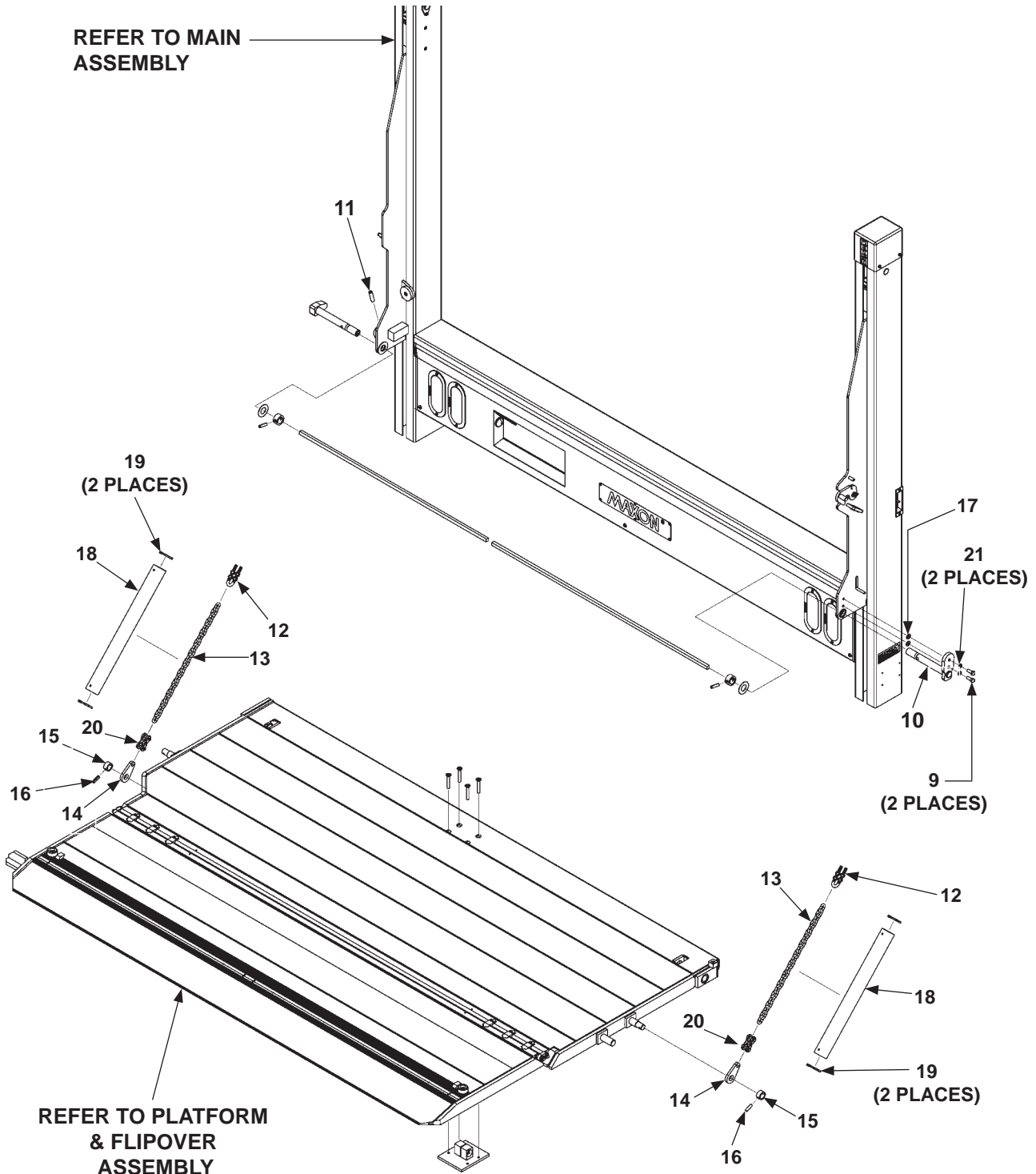
* PLATFORM + FLIPOVER DEPTH

PARTS BREAKDOWN

FINAL ASSEMBLY (2-PIECE PLATFORM) - Continued

⚠ CAUTION

MAXON recommends replacing LH & RH platform support chains as a set. Possible harm to users or bystanders and/or equipment damage could result if chains are only replaced one at a time.



MAXON®

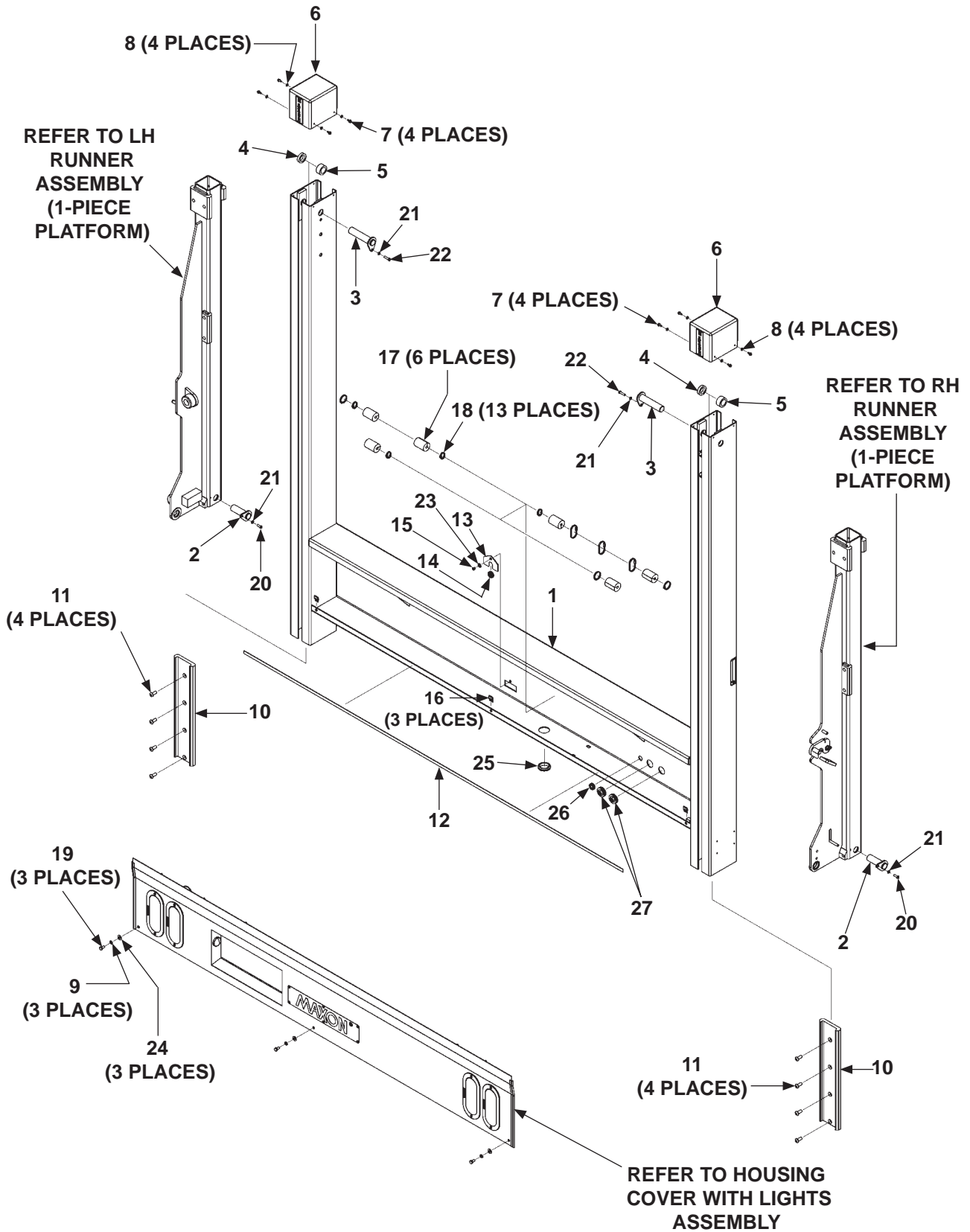
11921 Slauson Ave. Santa Fe Springs, CA. 90670 (800) 227-4116 FAX (888) 771-7713

| ITEM | QTY. | DESCRIPTION | PART NO. | | | |
|------|------|--|--------------|--------------|--------------|--------------|
| | | | 48" DEEP* | 54" DEEP* | 60" DEEP* | 72" DEEP* |
| 9 | 2 | HEX CAP SCREW, 3/8"-16 X 1" | 900764-06 | | | |
| 10 | 1 | PIN, PLATFORM AND RUNNER, RH (80" WIDE PLATFORM ASSEMBLY) | 284070-03 | | | |
| | | PIN, PLATFORM AND RUNNER, RH (86" WIDE PLATFORM ASSEMBLY) | 284070-03 | | | |
| | | PIN, PLATFORM AND RUNNER, RH (92" WIDE PLATFORM ASSEMBLY) | 284070-03 | 284070-03 | 284070-03 | 284070-04 |
| 11 | 1 | HEX SET SCREW, 1/2"-20 X 2" LG. | 901209-09 | | | |
| 12 | 2 | U-BOLT, 3/8"-16 X 3-3/8" LG. | 283721-01 | | | |
| 13 | 2 | CHAIN, 1/4" X 33" LG. | 283209-01 | | | |
| | | CHAIN, 1/4" X 20" LG. | 283209-02 | | | |
| 14 | 2 | CHAIN HOLDER BRACKET | 285990-01 | | | |
| 15 | 2 | CHAIN HOLDER BRACKET SPACER | 283537-01 | | | |
| 16 | 2 | ROLL PIN, 3/8" X 1-1/2" LG. | 904723-04 | | | |
| 17 | 2 | FLAT WASHER, 3/8" | 903447-01 | | | |
| 18 | 2 | PROTECTIVE CHAIN SLEEVE, 21" LG. | 261609-16 | | | |
| | | PROTECTIVE CHAIN SLEEVE, 34" LG. | 261609-15 | | | |
| 19 | 4 | PLASTIC TIE, 7" LG. | 205780 | | | |
| 20 | 2 | CHAIN SHACKLE | 285989-01 | | | |
| 21 | 2 | LOCK WASHER, 3/8" | 903448-02 | | | |

* PLATFORM + FLIPOVER DEPTH

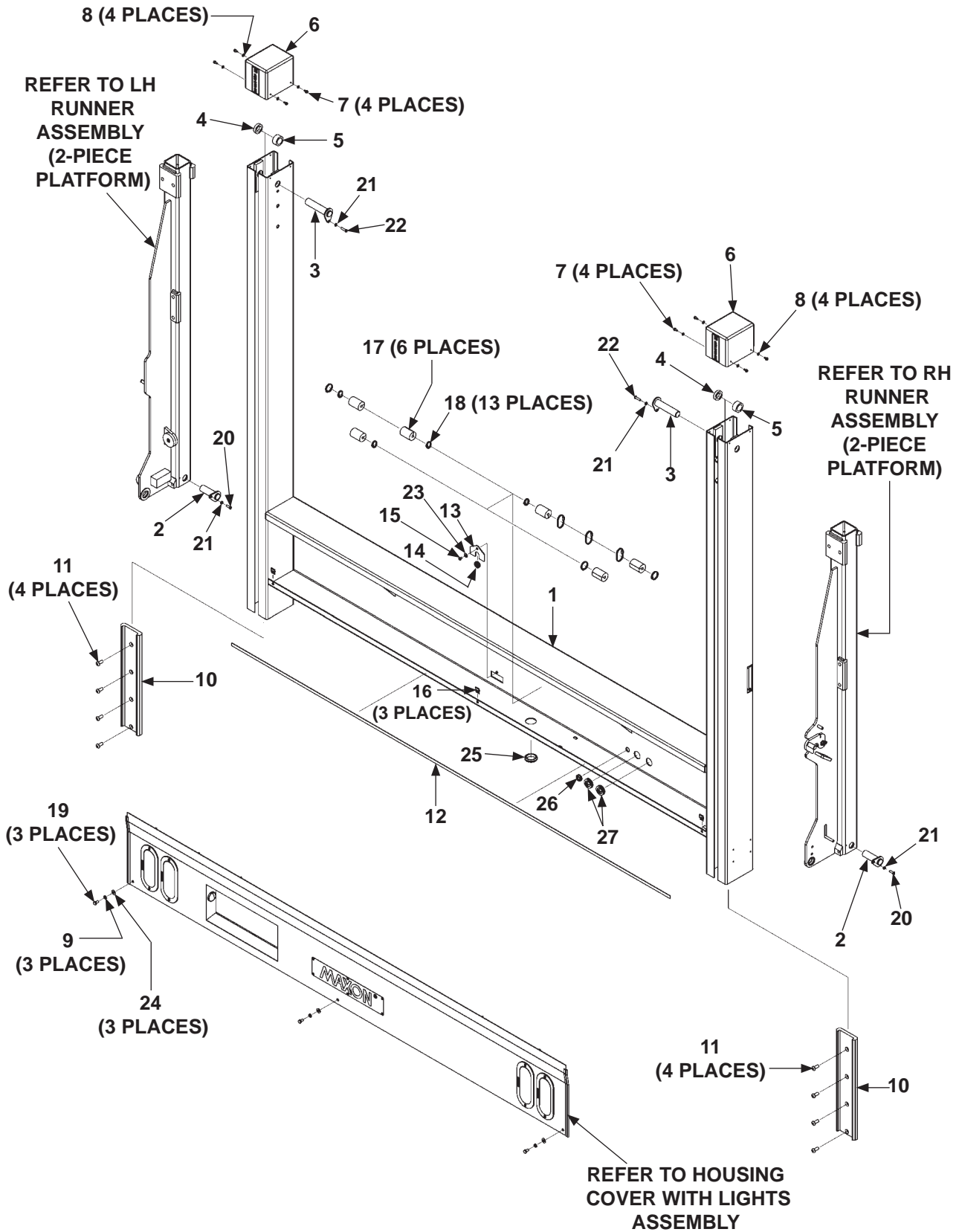
PARTS BREAKDOWN MAIN ASSEMBLY (1-PIECE PLATFORM)

MAXON® 11921 Slauson Ave. Santa Fe Springs, CA. 90670 (800) 227-4116 FAX (888) 771-7713



| ITEM | QTY. | PART NO. | DESCRIPTION |
|------|------|-----------|--|
| 1 | 1 | 286425-01 | MAIN FRAME WELDMENT, 90" LG. |
| | | 286425-02 | MAIN FRAME WELDMENT, 96" LG. |
| | | 286425-03 | MAIN FRAME WELDMENT, 102" LG. |
| 2 | 2 | 285262-01 | PIN WELDMENT, 1" DIA. X 3-3/8" LG. |
| 3 | 2 | 285262-02 | PIN WELDMENT, 1" DIA. X 4-3/4" LG. |
| 4 | 2 | 283211-01 | CYLINDER SPACER, 3/8" LG. |
| 5 | 2 | 283211-02 | CYLINDER SPACER, 3/4" LG. |
| 6 | 2 | 285268-01 | COLUMN COVER |
| 7 | 8 | 900762-02 | TAP SCREW, #10-24 X 1/2" F |
| 8 | 8 | 903444-01 | FLAT WASHER, #10 |
| 9 | 3 | 903409-02 | FLAT WASHER, 11/32" I.D. X 3/4" O.D. |
| 10 | 2 | 283194-01 | WEAR PAD, 18-1/4" LG. |
| 11 | 8 | 900769-04 | BUTTON SCREW, SOCKET, 3/8"-16 X 7/8" LG. |
| 12 | 1 | 283716-02 | RUBBER SEALING STRIP, 80-1/4" LG. |
| | | 283716-03 | RUBBER SEALING STRIP, 86-1/4" LG. |
| | | 283716-04 | RUBBER SEALING STRIP, 92-1/4" LG. |
| 13 | 1 | 286396-01 | COVER PLATE |
| 14 | 1 | 281068-02 | MODIFIED GROMMET |
| 15 | 1 | 900719-01 | BUTTON SCREW, 1/4"-20 X 5/16" LG. |
| 16 | 3 | 203877 | J-NUT, 5/16"-18 |
| 17 | 4 | 283717-01 | RUBBER TUBE ASSEMBLY, 3/8" X 2" LG. |
| 18 | 13 | 205780 | PLASTIC TIE, 7" LG. |
| 19 | 3 | 900763-04 | BUTTON SCREW, 8-32 X 3/4" LG. |
| 20 | 2 | 900719-05 | BUTTON SCREW, 1/4"-20 X 3/4" LG. |
| 21 | 4 | 903448-01 | NORD-LOCK WASHER, 1/4"/M6 |
| 22 | 2 | 900719-07 | BUTTON SCREW, 1/4"-20 X 1" LG. |
| 23 | 1 | 903409-01 | WASHER, FENDER, 9/32" I.D., 5/8" O.D. |
| 24 | 3 | 903409-02 | FENDER WASHER, 11/32" I.D. X 3/4" O.D. |
| 25 | 1 | 269354 | GROMMET, 1-3/8" I.D. |
| 26 | 1 | 908028-01 | GROMMET, PVC, 3/4" I.D. X 1/8" |
| 27 | 2 | 266428-06 | GROMMET, 1" I.D., 9/16" HOLE |

PARTS BREAKDOWN MAIN ASSEMBLY (2-PIECE PLATFORM)



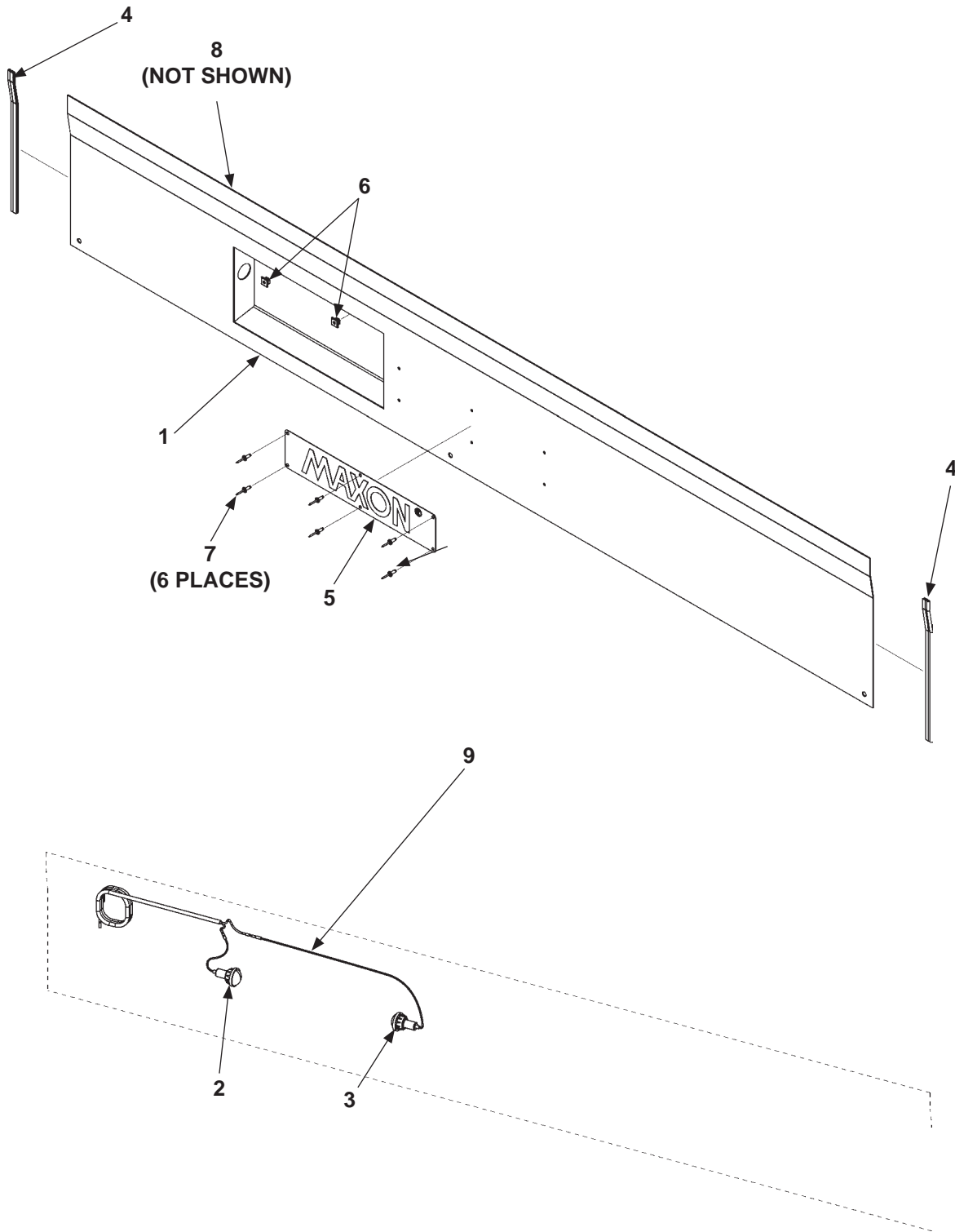
MAXON®

11921 Slauson Ave. Santa Fe Springs, CA. 90670 (800) 227-4116 FAX (888) 771-7713

| ITEM | QTY. | PART NO. | DESCRIPTION |
|------|------|-----------|--|
| 1 | 1 | 286425-01 | MAIN FRAME WELDMENT, 90" LG. |
| | | 286425-02 | MAIN FRAME WELDMENT, 96" LG. |
| | | 286425-03 | MAIN FRAME WELDMENT, 102" LG. |
| 2 | 2 | 285262-01 | PIN WELDMENT, 1" DIA. X 3-3/8" LG. |
| 3 | 2 | 285262-02 | PIN WELDMENT, 1" DIA. X 4-3/4" LG. |
| 4 | 2 | 283211-01 | CYLINDER SPACER, 3/8" LG. |
| 5 | 2 | 283211-02 | CYLINDER SPACER, 3/4" LG. |
| 6 | 2 | 285268-01 | COLUMN COVER |
| 7 | 8 | 900762-02 | TAP SCREW, #10-24 X 1/2" F |
| 8 | 8 | 903444-01 | FLAT WASHER, #10 |
| 9 | 3 | 903409-02 | FLAT WASHER, 11/32" I.D. X 3/4" O.D. |
| 10 | 2 | 283194-01 | WEAR PAD, 18-1/4" LG. |
| 11 | 8 | 900769-04 | BUTTON SCREW, SOCKET, 3/8"-16 X 7/8" LG. |
| 12 | 1 | 283716-02 | RUBBER SEALING STRIP, 80-1/4" LG. |
| | | 283716-03 | RUBBER SEALING STRIP, 86-1/4" LG. |
| | | 283716-04 | RUBBER SEALING STRIP, 92-1/4" LG. |
| 13 | 1 | 286396-01 | COVER PLATE |
| 14 | 1 | 281068-02 | MODIFIED GROMMET |
| 15 | 1 | 900719-01 | BUTTON SCREW, 1/4"-20 X 5/16" LG. |
| 16 | 3 | 203877 | J-NUT, 5/16"-18 |
| 17 | 4 | 283717-01 | RUBBER TUBE ASSEMBLY, 3/8" X 2" LG. |
| 18 | 13 | 205780 | PLASTIC TIE, 7" LG. |
| 19 | 3 | 900763-04 | BUTTON SCREW, 8-32 X 3/4" LG. |
| 20 | 2 | 900719-05 | BUTTON SCREW, 1/4"-20 X 3/4" LG. |
| 21 | 4 | 903448-01 | NORD-LOCK WASHER, 1/4"/M6 |
| 22 | 2 | 900719-07 | BUTTON SCREW, 1/4"-20 X 1" LG. |
| 23 | 1 | 903409-01 | WASHER, FENDER, 9/32" I.D., 5/8" O.D. |
| 24 | 3 | 903409-02 | FENDER WASHER, 11/32" I.D. X 3/4" O.D. |
| 25 | 1 | 269354 | GROMMET, 1-3/8" I.D. |
| 26 | 1 | 908028-01 | GROMMET, PVC, 3/4" I.D. X 1/8" |
| 27 | 2 | 266428-06 | GROMMET, 1" I.D., 9/16" HOLE |

PARTS BREAKDOWN

HOUSING COVER ASSEMBLY (WITHOUT LIGHTS)



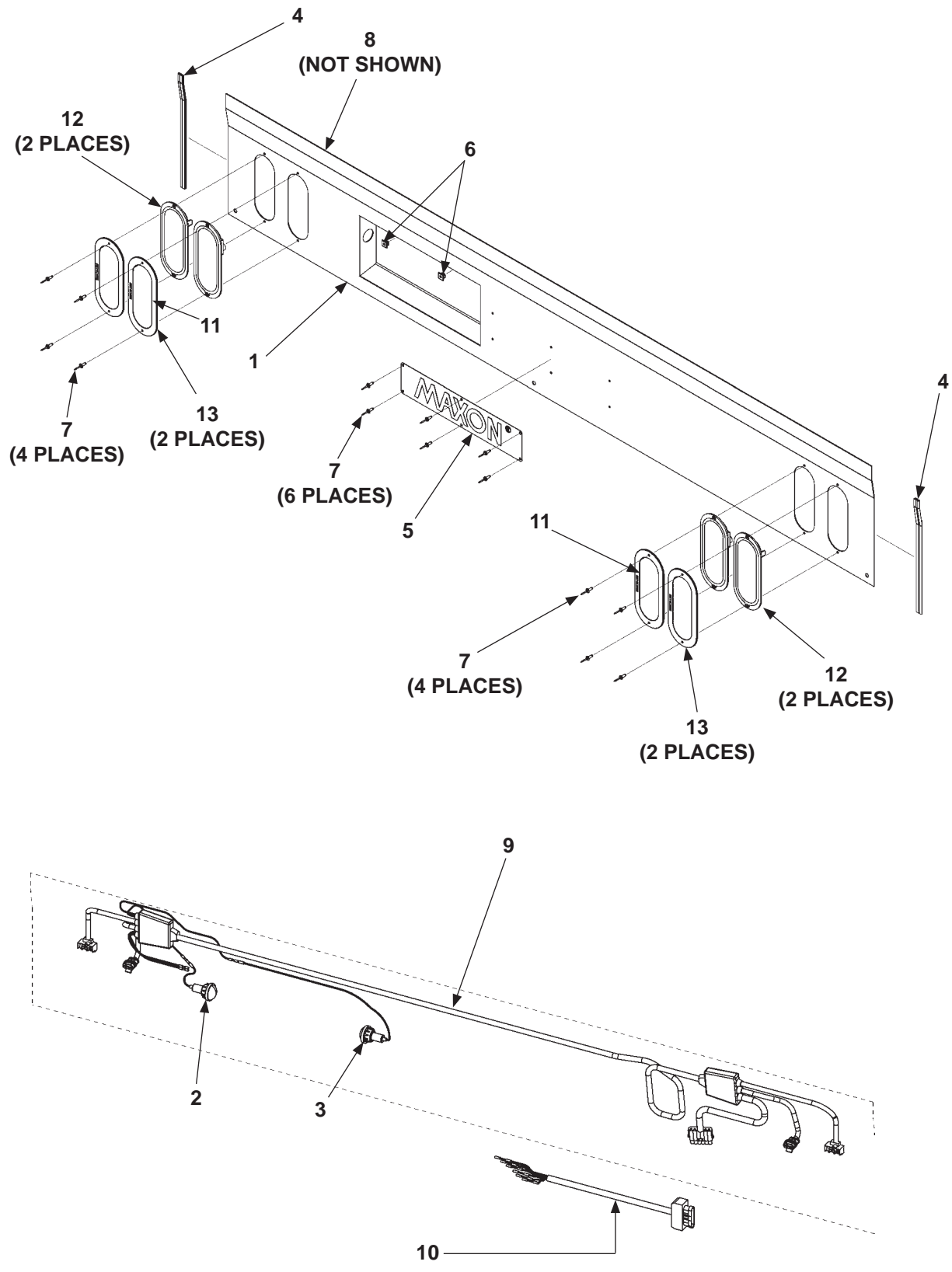
MAXON[®]

11921 Slauson Ave. Santa Fe Springs, CA. 90670 (800) 227-4116 FAX (888) 771-7713

| ITEM | QTY. | PART NO. | DESCRIPTION |
|------|------|-----------|---|
| 1 | 1 | 285982-01 | COVER ASSEMBLY, W/O LIGHTS, 80" LG. |
| | | 285982-02 | COVER ASSEMBLY, W/O LIGHTS, 86" LG. |
| | | 285982-03 | COVER ASSEMBLY, W/O LIGHTS, 92" LG. |
| 2 | 1 | 267387-01 | LICENSE PLATE LIGHT ASSEMBLY |
| 3 | 1 | 267387-03 | LICENSE PLATE LIGHT ASSEMBLY, 16-1/2" LG. |
| 4 | 2 | 284284-02 | COVER SEAL, 12" LG. |
| 5 | 1 | 050175 | MAXON HORIZONTAL PLATE 3-1/4" X 15" LG. |
| 6 | 2 | 901015-03 | SQUARE HEAD NYLON NUT GROMMET, 1/4" |
| 7 | 6 | 904005-1 | BLIND RIVET, DOME 3/16" X 7/16" |
| 8 | 3 | 205780 | PLASTIC TIE, 7" LG. |
| 9 | 1 | 285993-01 | HARNESS ASSEMBLY, LICENSE PLATE, 48" LG. |

MAXON[®] 11921 Slauson Ave. Santa Fe Springs, CA. 90670 (800) 227-4116 FAX (888) 771-7713

PARTS BREAKDOWN HOUSING COVER ASSEMBLY (WITH FOUR LIGHTS)



MAXON[®]

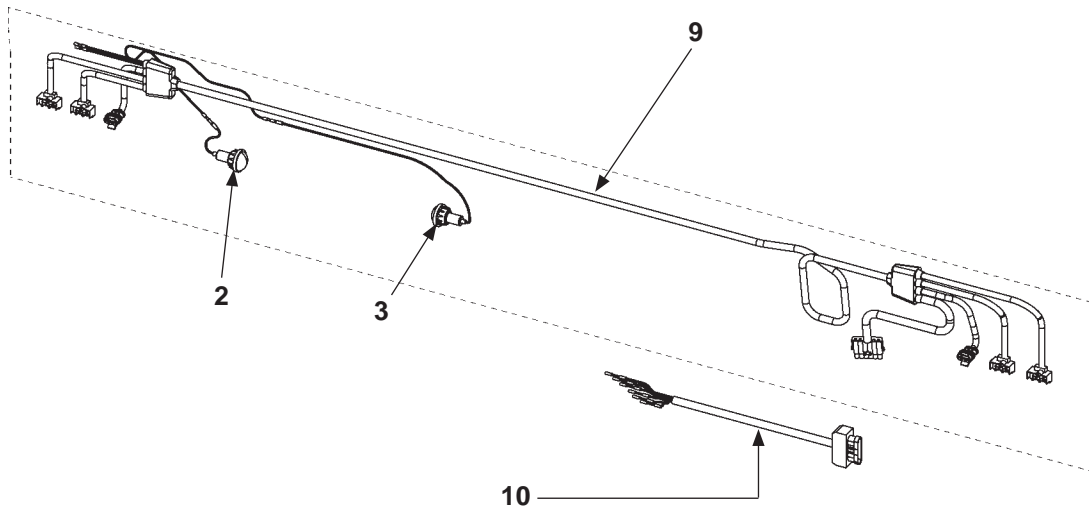
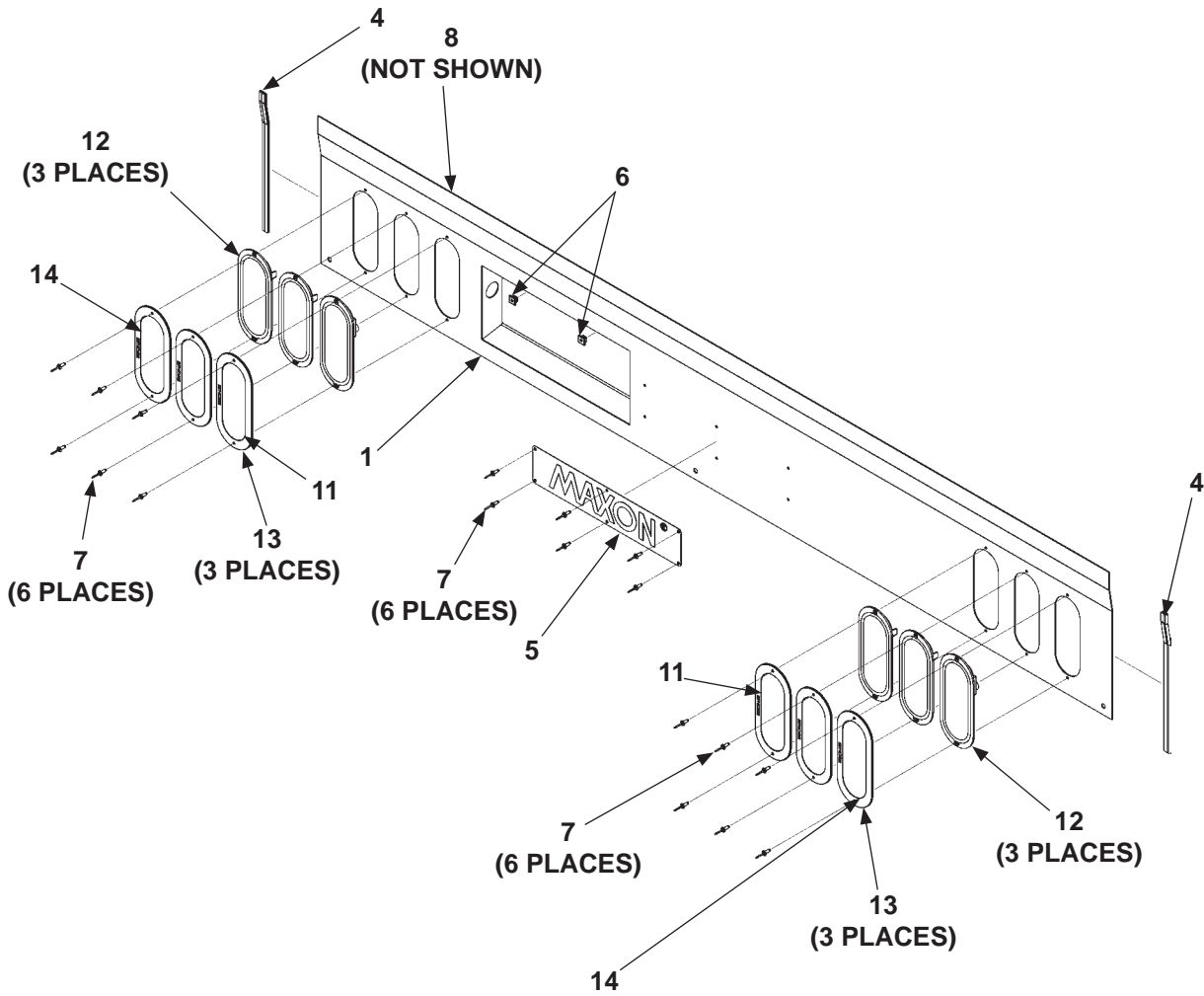
11921 Slauson Ave. Santa Fe Springs, CA. 90670 (800) 227-4116 FAX (888) 771-7713

| ITEM | QTY. | PART NO. | DESCRIPTION |
|------|------|-----------|---|
| 1 | 1 | 285982-04 | COVER ASSEMBLY, WITH 4 LIGHTS, (2 R, 2 W) 80" LG. |
| | | 285982-05 | COVER ASSEMBLY, WITH 4 LIGHTS, (2 R, 2 W) 86" LG. |
| | | 285982-06 | COVER ASSEMBLY, WITH 4 LIGHTS, (2 R, 2 W) 92" LG. |
| 2 | 1 | 267387-01 | LICENSE PLATE LIGHT ASSEMBLY |
| 3 | 1 | 267387-03 | LICENSE PLATE LIGHT ASSEMBLY,16-1/2" LG. |
| 4 | 2 | 284284-02 | COVER SEAL, 12" LG. |
| 5 | 1 | 050175 | MAXON HORIZONTAL PLATE 3-1/4" X 15" LG. |
| 6 | 2 | 901015-03 | SQUARE HEAD NYLON NUT GROMMET, 1/4" |
| 7 | 14 | 904005-1 | BLIND RIVET, DOME, 3/16" X 7/16" |
| 8 | 5 | 205780 | PLASTIC TIE, 7" LG. |
| 9 | 1 | 286551-01 | HARNESS ASSEMBLY, 4 LIGHTS, FOREIGN/DOMESTIC |
| 10 | 1 | 286553-01 | JUMPER, FOREIGN/DOMESTIC |
| 11 | 2 | 285995-01 | BACKUP LED LIGHT FLANGE MOUNTING, OVAL |
| 12 | 4 | 285135-01 | LED LIGHT FLANGE MOUNTING, OVAL TRUCK LIGHT |
| 13 | 4 | 285135-02 | OVAL LIGHT FLANGE, TRUCK LIGHT |

MAXON[®] 11921 Slauson Ave. Santa Fe Springs, CA. 90670 (800) 227-4116 FAX (888) 771-7713

PARTS BREAKDOWN

HOUSING COVER ASSEMBLY, FOREIGN (6 LIGHTS - RED/WHITE/YELLOW)

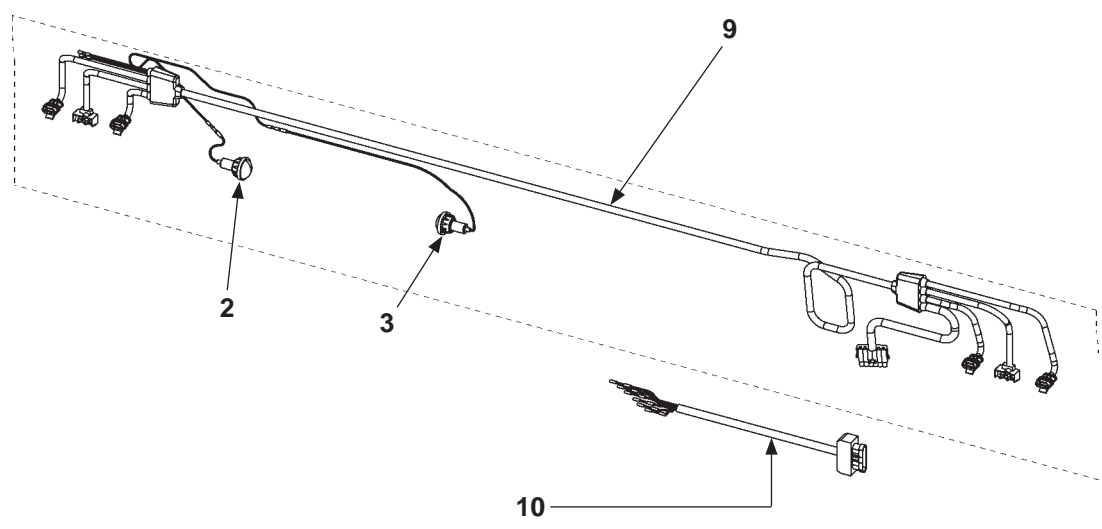
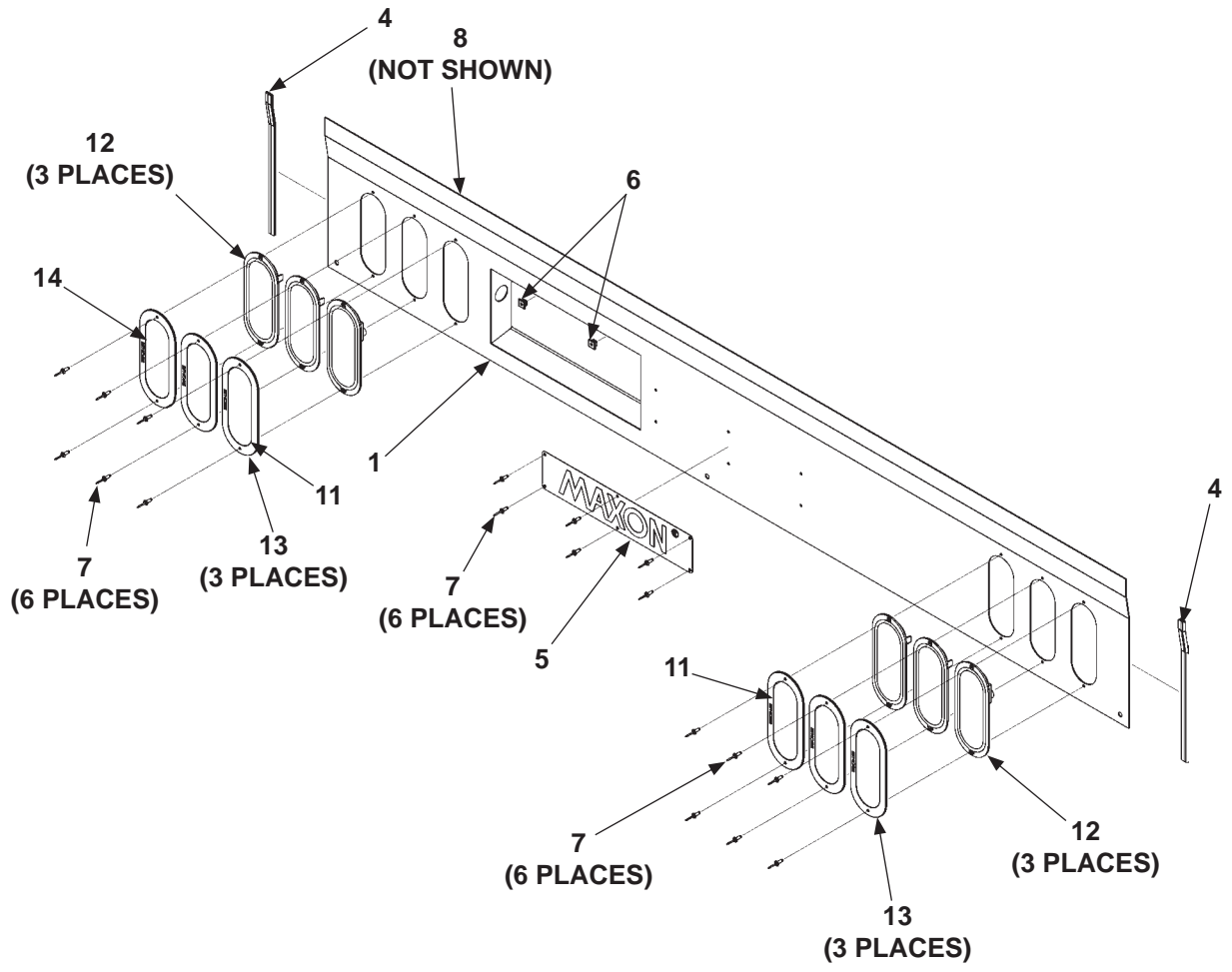


| ITEM | QTY. | PART NO. | DESCRIPTION |
|------|------|-----------|--|
| 1 | 1 | 285982-07 | COVER ASSEMBLY, FOREIGN WITH 6 LIGHTS, 80" LG. |
| | | 285982-08 | COVER ASSEMBLY, FOREIGN WITH 6 LIGHTS, 86" LG. |
| | | 285982-09 | COVER ASSEMBLY, FOREIGN WITH 6 LIGHTS, 92" LG. |
| 2 | 1 | 267387-01 | LICENSE PLATE LIGHT ASSEMBLY |
| 3 | 1 | 267387-03 | LICENSE PLATE LIGHT ASSEMBLY,16-1/2" LG. |
| 4 | 2 | 284284-02 | COVER SEAL, 12" LG. |
| 5 | 1 | 050175 | MAXON HORIZONTAL PLATE 3-1/4" X 15" LG. |
| 6 | 2 | 901015-03 | SQUARE HEAD NYLON NUT GROMMET, 1/4" |
| 7 | 18 | 904005-1 | BLIND RIVET, DOME 3/16" X 7/16" |
| 8 | 5 | 205780 | PLASTIC TIE, 7" LG. |
| 9 | 1 | 286552-01 | HARNESS ASSEMBLY, 6 LIGHTS, (2Y, 2R, 2W) |
| 10 | 1 | 286553-01 | JUMPER, FOREIGN/DOMESTIC |
| 11 | 2 | 285995-01 | BACKUP LED LIGHT FLANGE MOUNTING, OVAL |
| 12 | 2 | 285135-01 | LED LIGHT FLANGE MOUNTING, OVAL TRUCK LIGHT |
| 13 | 6 | 285135-02 | OVAL LIGHT FLANGE, TRUCK LIGHT |
| 14 | 2 | 285996-01 | LED LIGHT FLANGE, MOUNTING, OVAL, YELLOW |

PARTS BREAKDOWN

HOUSING COVER ASSEMBLY, FOREIGN (6 LIGHTS - 4 RED/2 WHITE)

MAXON®
 11921 Slauson Ave. Santa Fe Springs, CA. 90670 (800) 227-4116 FAX (888) 771-7713



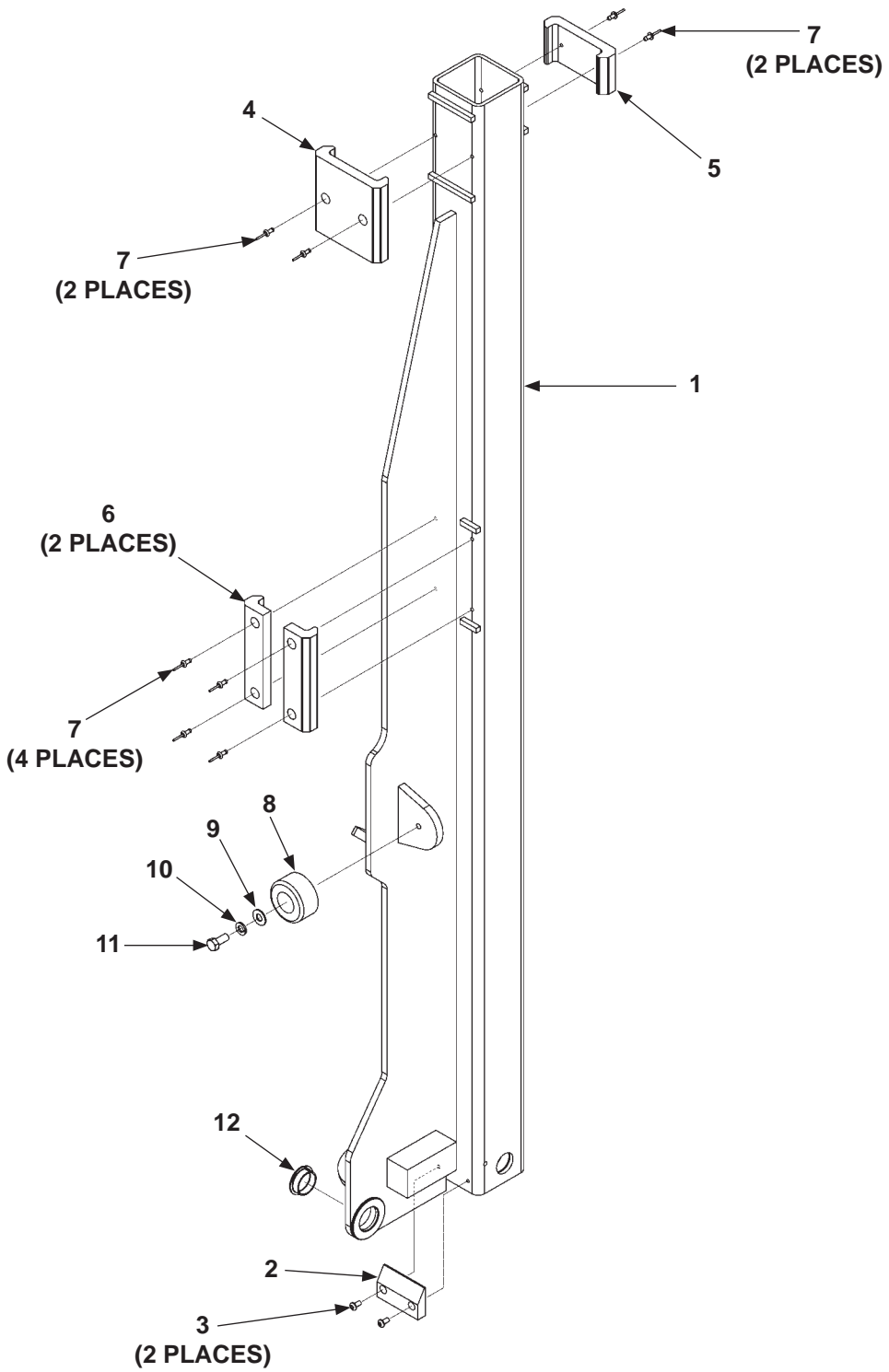
| ITEM | QTY. | PART NO. | DESCRIPTION |
|------|------|-----------|--|
| 1 | 1 | 285982-07 | COVER ASSEMBLY, FOREIGN WITH 6 LIGHTS, 80" LG. |
| | | 285982-08 | COVER ASSEMBLY, FOREIGN WITH 6 LIGHTS, 86" LG. |
| | | 285982-09 | COVER ASSEMBLY, FOREIGN WITH 6 LIGHTS, 92" LG. |
| 2 | 1 | 267387-01 | LICENSE PLATE LIGHT ASSEMBLY |
| 3 | 1 | 267387-03 | LICENSE PLATE LIGHT ASSEMBLY,16-1/2" LG. |
| 4 | 2 | 284284-02 | COVER SEAL, 12" LG. |
| 5 | 1 | 050175 | MAXON HORIZONTAL PLATE 3-1/4" X 15" LG. |
| 6 | 2 | 901015-03 | SQUARE HEAD NYLON NUT GROMMET, 1/4" |
| 7 | 18 | 904005-1 | BLIND RIVET, DOME 3/16" X 7/16" |
| 8 | 5 | 205780 | PLASTIC TIE, 7" LG. |
| 9 | 1 | 286552-01 | HARNESS ASSEMBLY, 6 LIGHTS, (2Y, 2R, 2W) |
| 10 | 1 | 286553-01 | JUMPER, FOREIGN/DOMESTIC |
| 11 | 2 | 285995-01 | BACKUP LED LIGHT FLANGE MOUNTING, OVAL |
| 12 | 2 | 285135-01 | LED LIGHT FLANGE MOUNTING, OVAL TRUCK LIGHT |
| 13 | 6 | 285135-02 | OVAL LIGHT FLANGE, TRUCK LIGHT |

PARTS BREAKDOWN

LH RUNNER (1-PIECE PLATFORM)

MAXON[®]

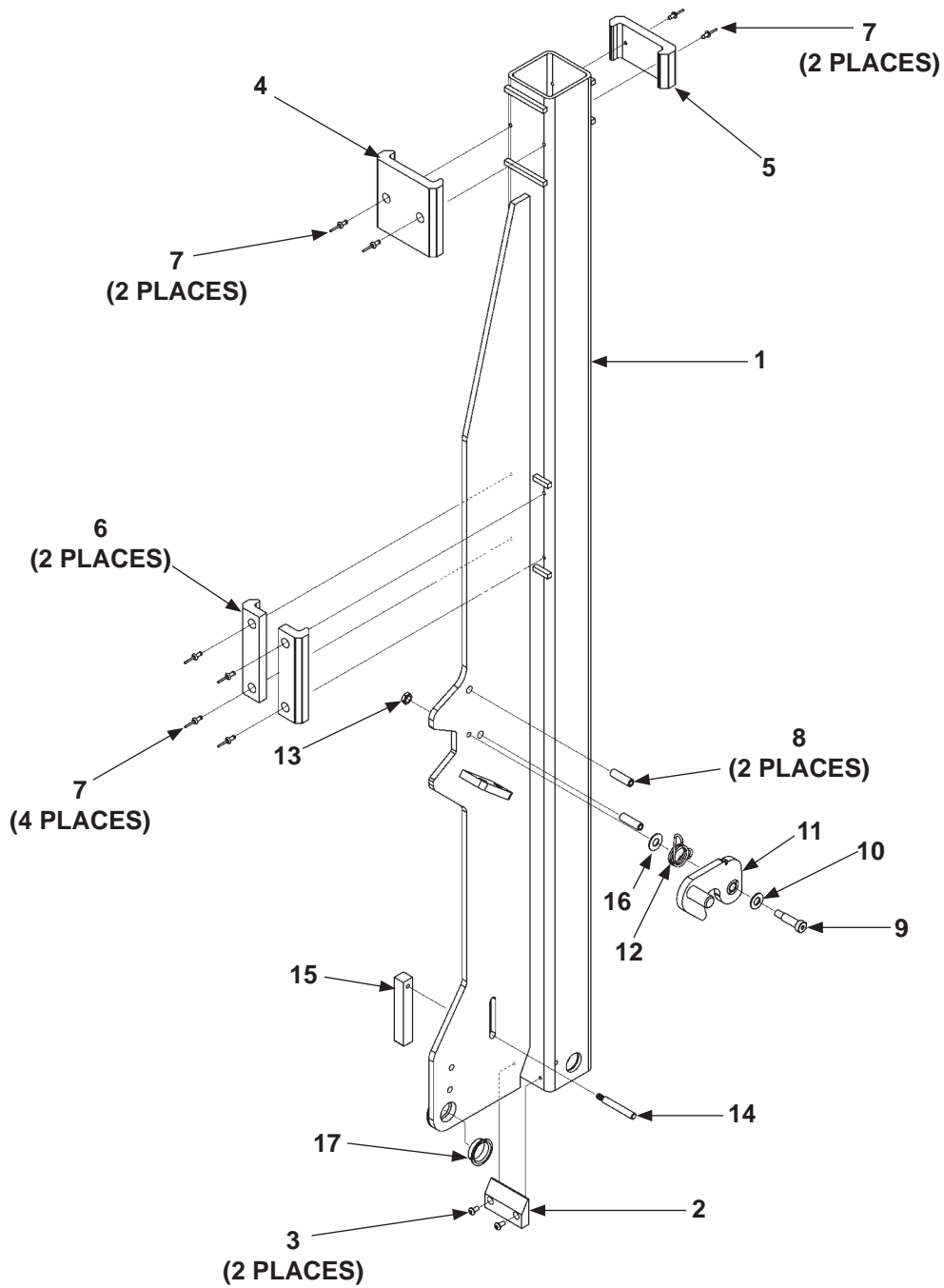
11921 Slauson Ave. Santa Fe Springs, CA. 90670 (800) 227-4116 FAX (888) 771-7713



| ITEM | QTY. | PART NO. | DESCRIPTION |
|------|------|-----------|--|
| REF | 1 | 285294-05 | LH RUNNER ASSEMBLY, 1 PC PLATFORM |
| | | 285294-10 | LH RUNNER ASSEMBLY, 30" PLATFORM |
| | | 285294-11 | LH RUNNER ASSEMBLY, 36" PLATFORM |
| 1 | 1 | 285293-05 | LH RUNNER WELDMENT, 1 PC PLATFORM |
| | | 285293-10 | LH RUNNER WELDMENT, 30" PLATFORM |
| | | 285293-11 | LH RUNNER WELDMENT, 36" PLATFORM |
| 2 | 1 | 284285-01 | RUNNER BUMPER |
| 3 | 2 | 900722-02 | BUTTON SCREW, #10-24 X 3/8" LG. |
| 4 | 1 | 283232-01 | WEAR PAD, 4" LG., WITH CHAMFER |
| 5 | 1 | 283232-03 | WEAR PAD, 2" LG. |
| 6 | 2 | 283233-01 | WEAR PAD, 5" LG. |
| 7 | 8 | 903706-04 | DOME RIVET, 5/32" DIA. X 17/32" LG. |
| 8 | 1 | 253516 | RUNNER BUMPER, 2" X 1" |
| 9 | 1 | 903409-02 | FLAT WASHER, 11/32" X 3/4" |
| 10 | 1 | 902019-4 | LOCK WASHER, 9/16" X 1/3" |
| 11 | 1 | 901602-04 | HEX BOLT, 5/16"-18 X 3/4" LG., STAINLESS STEEL |
| 12 | 1 | 265062 | BEARING, SELF-LUBRICATING |

PARTS BREAKDOWN

RH RUNNER (1-PIECE PLATFORM)

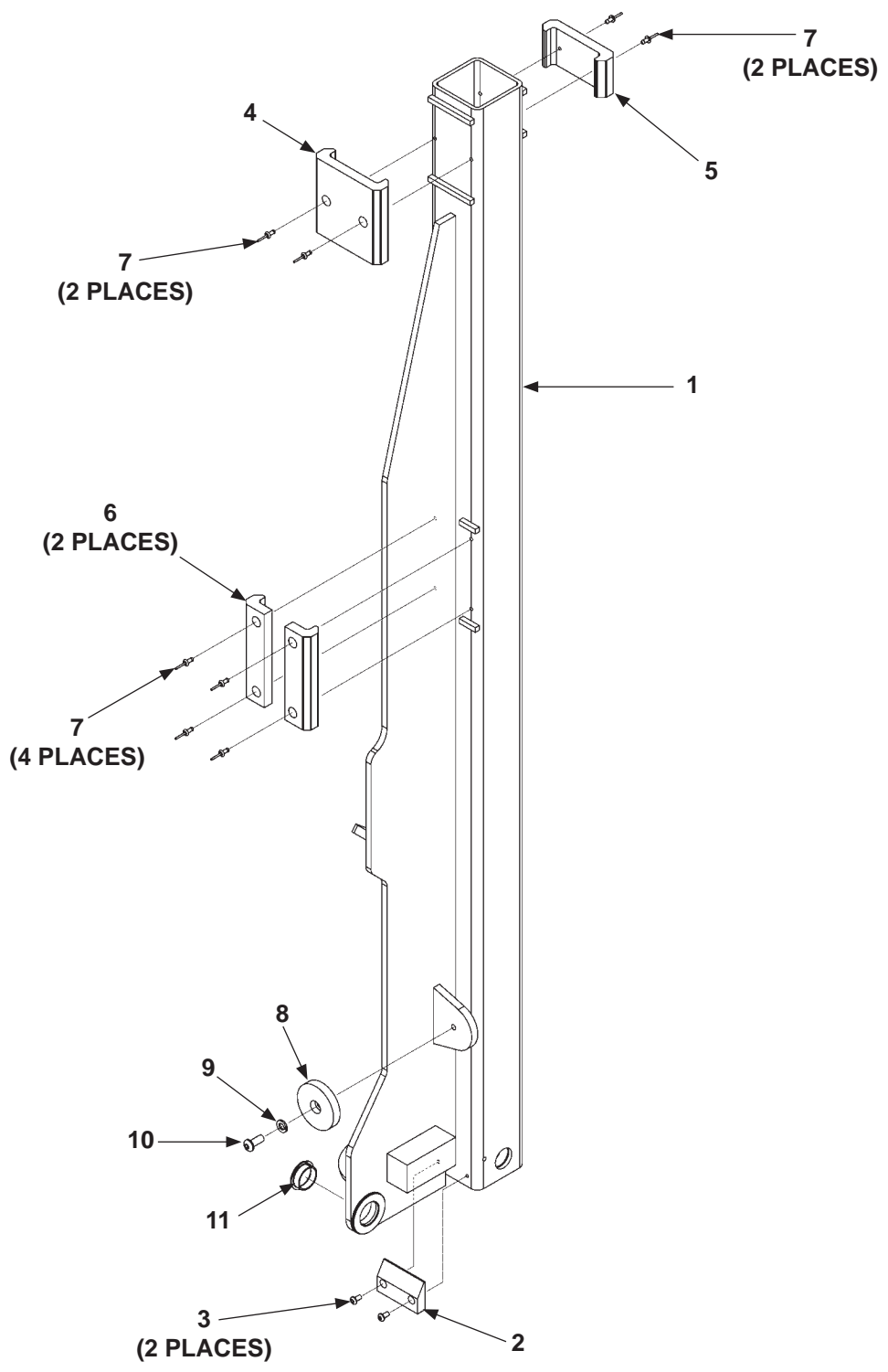


MAXON®

11921 Slauson Ave. Santa Fe Springs, CA. 90670 (800) 227-4116 FAX (888) 771-7713

| ITEM | QTY. | PART NO. | DESCRIPTION |
|------|------|-----------|-------------------------------------|
| REF | 1 | 285294-02 | RH RUNNER ASSEMBLY |
| 1 | 1 | 285293-02 | RH RUNNER WELDMENT |
| 2 | 1 | 284285-01 | RUNNER BUMPER |
| 3 | 2 | 900722-02 | BUTTON SCREW, #10-24 X 3/8" LG. |
| 4 | 1 | 283232-01 | WEAR PAD, 4" LG., WITH CHAMFER |
| 5 | 1 | 283232-03 | WEAR PAD, 2" LG. |
| 6 | 2 | 283233-01 | WEAR PAD, 5" LG. |
| 7 | 8 | 903706-04 | DOME RIVET, 5/32" DIA. X 17/32" LG. |
| 8 | 2 | 904723-03 | ROLL PIN, 3/8" X 1-1/4" LG. |
| 9 | 1 | 900723-06 | SHOULDER SCREW, 3/8" X 1" LG. |
| 10 | 1 | 903447-01 | FLAT WASHER, 3/8" |
| 11 | 1 | 283195-01 | UPPER LATCH WELDMENT |
| 12 | 1 | 908200-01 | TORSION SPRING 90° |
| 13 | 1 | 903114-01 | HEX NUT, 5/16"-18 |
| 14 | 1 | 283713-01 | SPRING LEVER |
| 15 | 1 | 285257-01 | SQUARE BAR PLATFORM STOP |
| 16 | 1 | 903409-03 | WASHER, 13/32" - 7/8" O.D. |
| 17 | 1 | 265062 | BEARING, SELF-LUBRICATING |

PARTS BREAKDOWN LH RUNNER (2-PIECE PLATFORM)

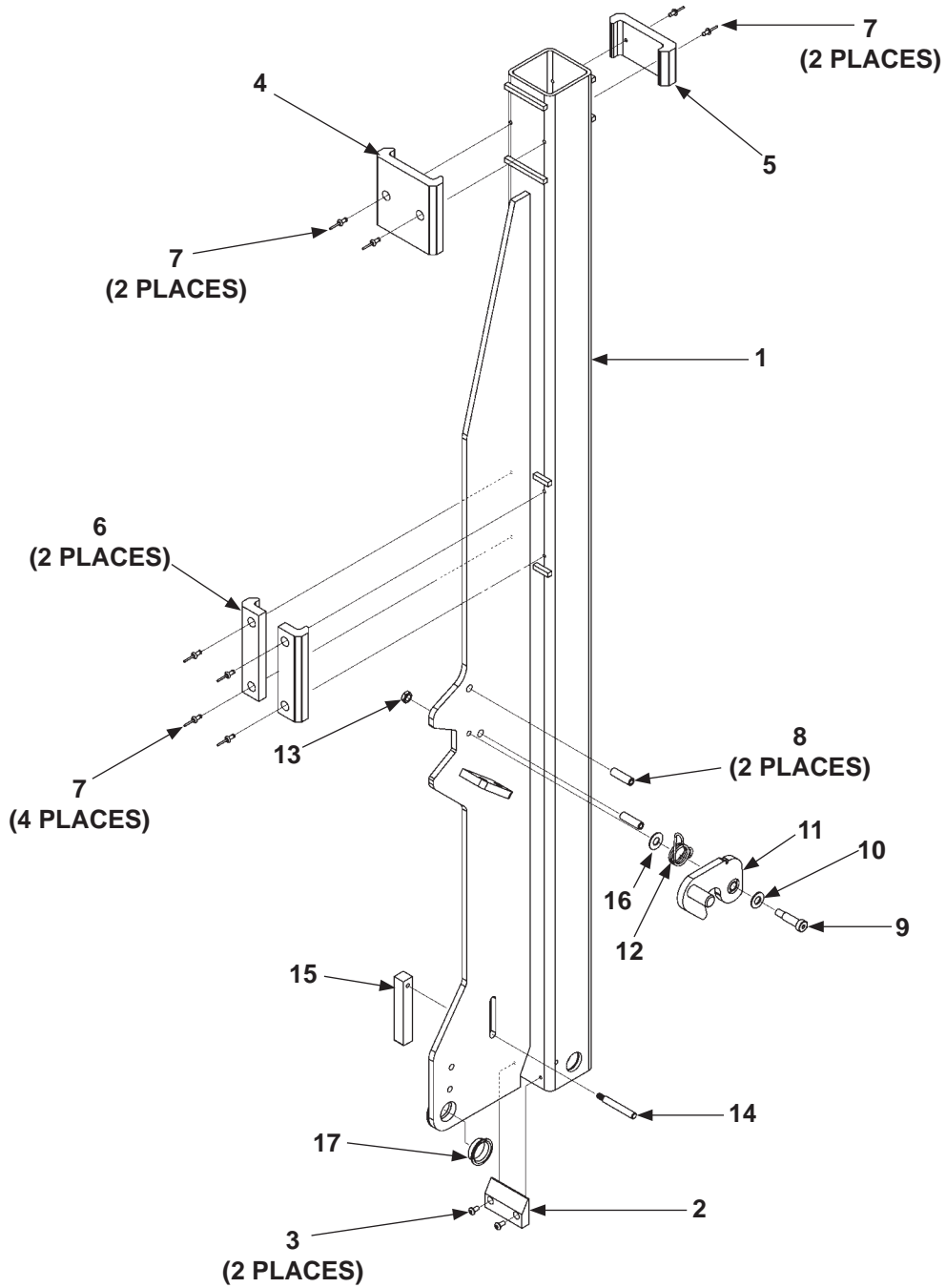


MAXON®
 11921 Slauson Ave. Santa Fe Springs, CA. 90670 (800) 227-4116 FAX (888) 771-7713

| ITEM | QTY. | PART NO. | DESCRIPTION |
|------|------|-----------|---|
| REF | 1 | 285294-01 | LH RUNNER ASSEMBLY, 2 PC PLATFORM |
| | | 285294-07 | LH RUNNER ASSEMBLY, 2 PC PLATFORM, LP |
| | | 285294-08 | LH RUNNER ASSEMBLY, 2 PC PLATFORM, LP |
| | | 285294-09 | LH RUNNER ASSEMBLY, 2 PC PLATFORM, LKQ |
| 1 | 1 | 285293-01 | LH RUNNER WELDEMENT, 2 PC PLATFORM |
| | | 285293-07 | LH RUNNER WELDEMENT, 2 PC PLATFORM, LP |
| | | 285293-08 | LH RUNNER WELDEMENT, 2 PC PLATFORM, LP |
| | | 285293-09 | LH RUNNER WELDEMENT, 2 PC PLATFORM, LKQ |
| 2 | 1 | 284285-01 | RUNNER BUMPER |
| 3 | 2 | 900722-02 | BUTTON SCREW, #10-24 X 3/8" LG. |
| 4 | 1 | 283232-01 | WEAR PAD, 4" LG., WITH CHAMFER |
| 5 | 1 | 283232-03 | WEAR PAD, 2" LG. |
| 6 | 2 | 283233-01 | WEAR PAD, 5" LG. |
| 7 | 8 | 903706-04 | DOME RIVET, 5/32" DIA. X 17/32" LG. |
| 8 | 1 | 285409-01 | RUNNER BUMPER, 2-1/4" O.D. |
| 9 | 1 | 902019-4 | LOCK WASHER, 9/16" X 1/3" |
| 10 | 1 | 900763-04 | BUTTON SCREW, 5/16"-18 X 3/4" LG. |
| 11 | 1 | 265062 | BEARING, SELF-LUBRICATING |

PARTS BREAKDOWN

RH RUNNER (2-PIECE PLATFORM)



MAXON®

11921 Slauson Ave. Santa Fe Springs, CA. 90670 (800) 227-4116 FAX (888) 771-7713

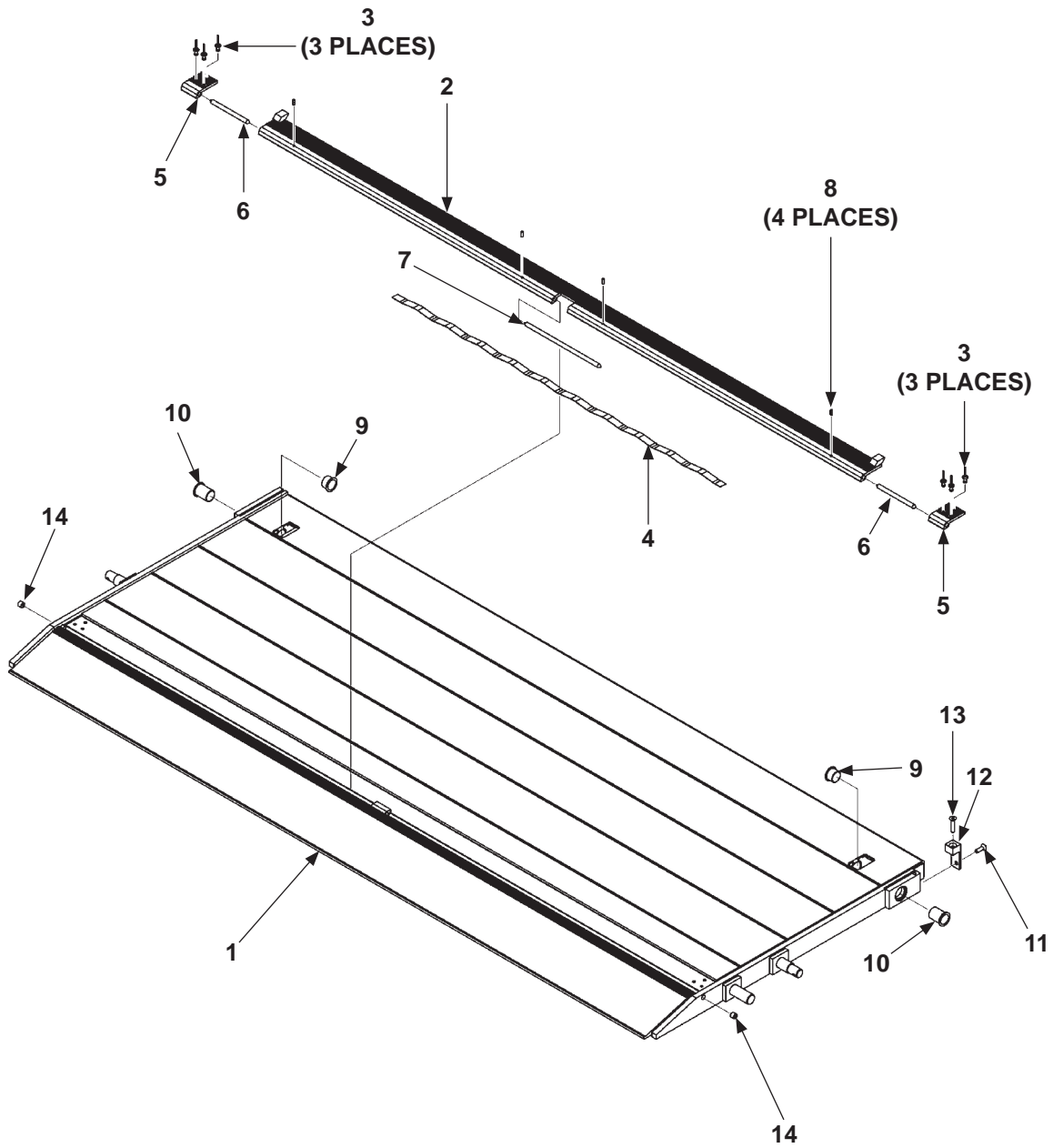
| ITEM | QTY. | PART NO. | DESCRIPTION |
|------|------|-----------|---|
| REF | 1 | 285294-02 | RH RUNNER ASSEMBLY |
| | | 285294-08 | RH RUNNER ASSEMBLY, 2 PC PLATFORM, LP |
| 1 | 1 | 285293-02 | RH RUNNER WELDMENT |
| | | 285293-08 | RH RUNNER WELDMENT, LP |
| 2 | 1 | 284285-01 | RUNNER BUMPER |
| 3 | 2 | 900722-02 | BUTTON SCREW, #10-24 X 3/8" LG. |
| 4 | 1 | 283232-01 | WEAR PAD, 4" LG., WITH CHAMFER |
| 5 | 1 | 283232-03 | WEAR PAD, 2" LG. |
| 6 | 2 | 283233-01 | WEAR PAD, 5" LG. |
| 7 | 8 | 903706-04 | DOME RIVET, 5/32" DIA. X 17/32" LG. |
| 8 | 2 | 904723-03 | ROLL PIN, 3/8" X 1-1/4" LG. |
| 9 | 1 | 900723-06 | SHOULDER SCREW, 3/8" X 1" LG. |
| 10 | 1 | 903447-01 | FLAT WASHER, 3/8" X 1/32" - 3/32" THICK |
| 11 | 1 | 283195-01 | UPPER LATCH WELDMENT |
| 12 | 1 | 908200-01 | TORSION SPRING 90° |
| 13 | 1 | 903114-01 | HEX NUT, 5/16"-18 |
| 14 | 1 | 283713-01 | SPRING LEVER |
| 15 | 1 | 285257-01 | SQUARE BAR PLATFORM STOP |
| 16 | 1 | 903409-03 | WASHER, 13/32" - 7/8" O.D. |
| 17 | 1 | 265062 | BEARING, SELF-LUBRICATING |

MAXON[®]

11921 Slauson Ave. Santa Fe Springs, CA. 90670 (800) 227-4116 FAX (888) 771-7713

PARTS BREAKDOWN

ALUMINUM PLATFORM (1-PIECE WITH SINGLE CART STOP)



| ITEM | QTY. | PART NO. | DESCRIPTION |
|------|------|-----------|--|
| 1 | 1 | 285395-21 | ALUMINUM PLATFORM ASSEMBLY 83-7/8" X 36" (30+6), SCS |
| | | 285395-22 | ALUMINUM PLATFORM ASSEMBLY 83-7/8" X 42" (36+6), SCS |
| | | 285395-23 | ALUMINUM PLATFORM ASSEMBLY 83-7/8" X 48" (42+6), SCS |
| | | 285395-25 | ALUMINUM PLATFORM ASSEMBLY 89-7/8" X 36" (30+6), SCS |
| | | 285395-26 | ALUMINUM PLATFORM ASSEMBLY 89-7/8" X 42" (36+6), SCS |
| | | 285395-27 | ALUMINUM PLATFORM ASSEMBLY 89-7/8" X 48" (42+6), SCS |
| | | 285395-29 | ALUMINUM PLATFORM ASSEMBLY 95-7/8" X 36" (30+6), SCS |
| | | 285395-30 | ALUMINUM PLATFORM ASSEMBLY 95-7/8" X 42" (36+6), SCS |
| | | 285395-31 | ALUMINUM PLATFORM ASSEMBLY 95-7/8" X 48" (42+6), SCS |
| 2 | 1 | 267092-56 | CART STOP WELDMENT, 78-1/8" LG. |
| | | 267092-57 | CART STOP WELDMENT, 84-1/8" LG. |
| | | 267092-58 | CART STOP WELDMENT, 90-1/8" LG. |
| 3 | 6 | 903705-02 | BLIND RIVET, DOME, 1/4" I.D. X 5/8" LG. |
| 4 | 1 | 267581-02 | FLIPOVER CART STOP SPRING, 3/4" X 42" LG. |
| 5 | 2 | 267088-01 | CART STOP LINK |
| 6 | 2 | 267094-03 | CART STOP PIN, 5" LG. |
| 7 | 1 | 267094-04 | CART STOP PIN, 9-3/4" LG. |
| 8 | 4 | 904719-03 | ROLL PIN, 3/16" I.D. X 9/16" LG. |
| 9 | 2 | 261837-02 | PLASTIC FLANGE BUSHING, 1" I.D. X 3/4" LG. |
| 10 | 2 | 261837-08 | PLASTIC FLANGE BUSHING, 1" I.D. X 1-1/2" LG. |
| 11 | 1 | 900712-02 | FLUSH SOCKET SCREW, 5/16"-18 X 1" LG. |
| 12 | 1 | 285579-01 | WEAR PLATE |
| 13 | 1 | 900712-01 | FLUSH SOCKET SCREW, 5/16"-18 X 1-1/2" LG. |
| 14 | 2 | 901209-02 | SET SCREW, HEX, CUP, 1/2"-20 X 1/2" LG. |

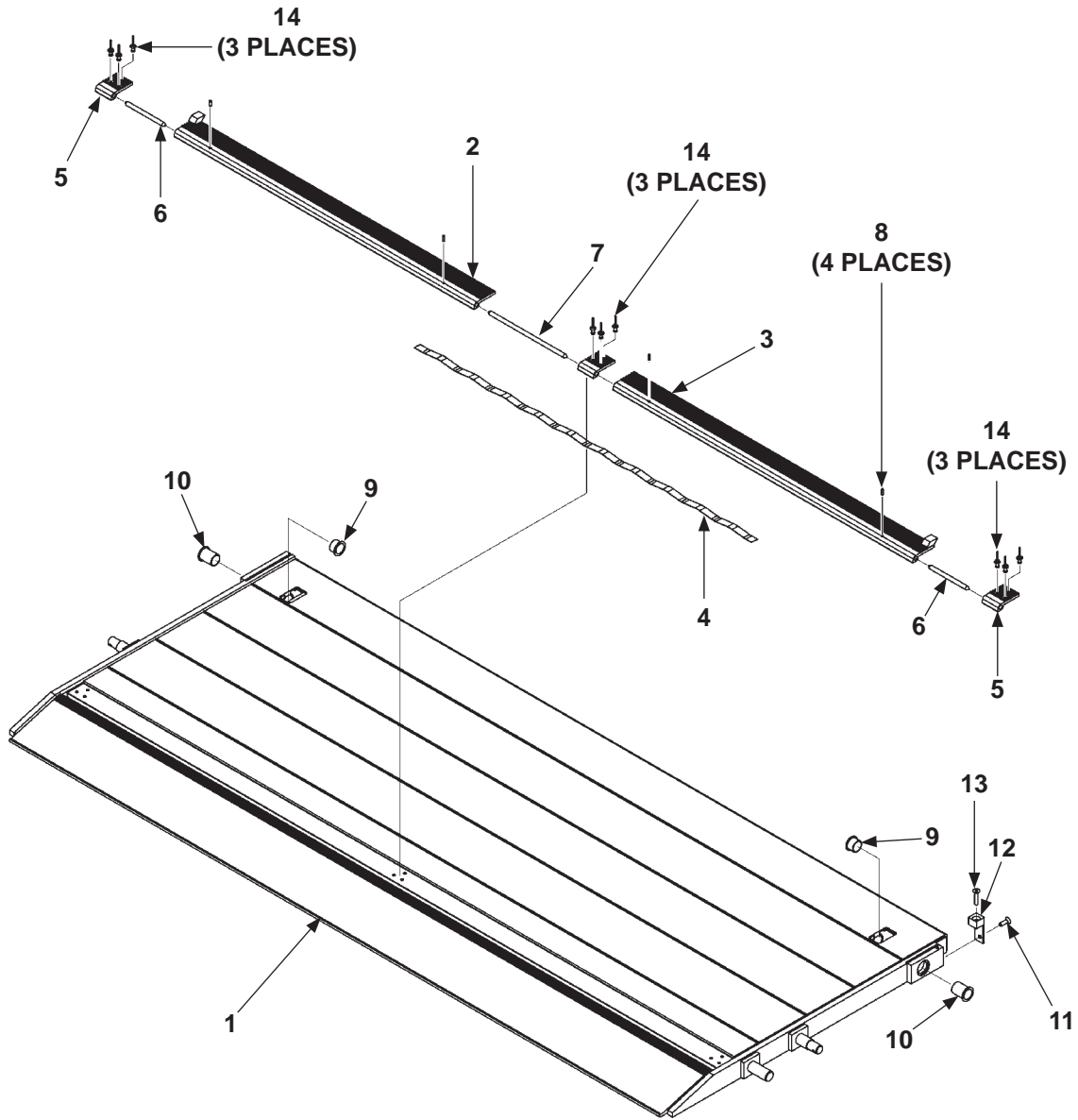
| ITEM | QTY. | PART NO. | DESCRIPTION |
|------|------|-----------|--|
| 1 | 1 | 285395-24 | ALUMINUM PLATFORM ASSEMBLY 83-7/8" X 54" (48+6), SCS |
| | | 285395-28 | ALUMINUM PLATFORM ASSEMBLY 89-7/8" X 54" (48+6), SCS |
| | | 285395-32 | ALUMINUM PLATFORM ASSEMBLY 95-7/8" X 54" (48+6), SCS |
| 2 | 1 | 267092-56 | CART STOP WELDMENT, 78-1/8" LG. |
| | | 267092-57 | CART STOP WELDMENT, 84-1/8" LG. |
| | | 267092-58 | CART STOP WELDMENT, 90-1/8" LG. |
| 3 | 6 | 903705-02 | BLIND RIVET, DOME, 1/4" I.D. X 5/8" LG. |
| 4 | 1 | 267581-02 | FLIPOVER CART STOP SPRING, 3/4" X 42" LG. |
| 5 | 2 | 267088-01 | CART STOP LINK |
| 6 | 2 | 267094-03 | CART STOP PIN, 5" LG. |
| 7 | 1 | 267094-04 | CART STOP PIN, 9-3/4" LG. |
| 8 | 4 | 904719-03 | ROLL PIN, 3/16" I.D. X 9/16" LG. |
| 9 | 2 | 261837-02 | PLASTIC FLANGE BUSHING, 1" I.D. X 3/4" LG. |
| 10 | 2 | 261837-08 | PLASTIC FLANGE BUSHING, 1" I.D. X 1-1/2" LG. |
| 11 | 1 | 900712-02 | FLUSH SOCKET SCREW, 5/16"-18 X 1" LG. |
| 12 | 1 | 285579-01 | WEAR PLATE |
| 13 | 1 | 900712-01 | FLUSH SOCKET SCREW, 5/16"-18 X 1-1/2" LG. |
| 14 | 2 | 901209-02 | SET SCREW, HEX, CUP, 1/2"-20 X 1/2" LG. |

MAXON[®]

11921 Slauson Ave. Santa Fe Springs, CA. 90670 (800) 227-4116 FAX (888) 771-7713

PARTS BREAKDOWN

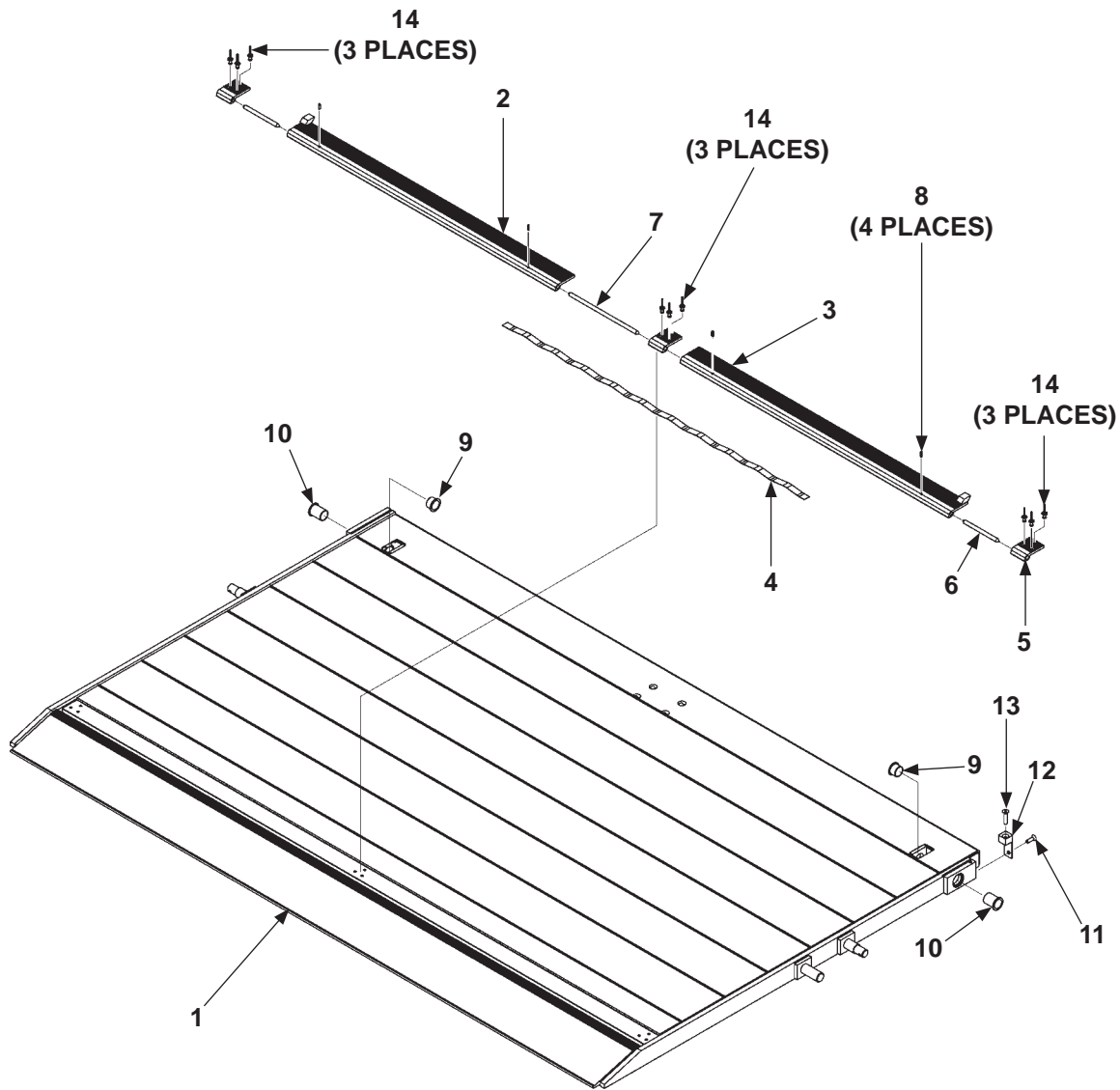
ALUMINUM PLATFORM (1-PIECE WITH DUAL CART STOPS)



| ITEM | QTY. | PART NO. | DESCRIPTION |
|------|------|-----------|--|
| 1 | 1 | 285395-01 | ALUMINUM PLATFORM ASSEMBLY 83-7/8" X 36" (30+6), DCS |
| | | 285395-02 | ALUMINUM PLATFORM ASSEMBLY 83-7/8" X 42" (36+6), DCS |
| | | 285395-03 | ALUMINUM PLATFORM ASSEMBLY 83-7/8" X 48" (42+6), DCS |
| | | 285395-05 | ALUMINUM PLATFORM ASSEMBLY 89-7/8" X 36" (30+6), DCS |
| | | 285395-06 | ALUMINUM PLATFORM ASSEMBLY 89-7/8" X 42" (36+6), DCS |
| | | 285395-07 | ALUMINUM PLATFORM ASSEMBLY 89-7/8" X 48" (42+6), DCS |
| | | 285395-09 | ALUMINUM PLATFORM ASSEMBLY 95-7/8" X 36" (30+6), DCS |
| | | 285395-10 | ALUMINUM PLATFORM ASSEMBLY 95-7/8" X 42" (36+6), DCS |
| | | 285395-11 | ALUMINUM PLATFORM ASSEMBLY 95-7/8" X 48" (42+6), DCS |
| 2 | 1 | 267092-41 | LH CART STOP WELDMENT, 38" LG. |
| | | 267092-43 | LH CART STOP WELDMENT, 41" LG. |
| | | 267092-45 | LH CART STOP WELDMENT, 44" LG. |
| 3 | 1 | 267092-42 | RH CART STOP WELDMENT, 38" LG.. |
| | | 267092-44 | RH CART STOP WELDMENT, 41" LG. |
| | | 267092-46 | RH CART STOP WELDMENT, 44" LG. |
| 4 | 1 | 267581-02 | FLIPOVER CART STOP SPRING, 3/4" X 42" LG. |
| 5 | 2 | 267088-01 | CART STOP LINK |
| 6 | 2 | 267094-03 | CART STOP PIN, 5" LG. |
| 7 | 1 | 267094-04 | CART STOP PIN, 9-3/4" LG. |
| 8 | 4 | 904719-03 | ROLL PIN, 3/16" I.D. X 9/16" LG. |
| 9 | 2 | 261837-02 | PLASTIC FLANGE BUSHING, 1" I.D. X 3/4" LG. |
| 10 | 2 | 261837-08 | PLASTIC FLANGE BUSHING, 1" I.D. X 1-1/2" LG. |
| 11 | 1 | 900712-02 | FLUSH SOCKET SCREW, 5/16"-18 X 1" LG. |
| 12 | 1 | 285579-01 | WEAR PLATE |
| 13 | 1 | 900712-01 | FLUSH SOCKET SCREW, 5/16"-18 X 1-1/2" LG. |
| 14 | 9 | 903705-02 | BLIND RIVET, DOME, 1/4" I.D. X 5/8" LG. |

PARTS BREAKDOWN

ALUMINUM PLATFORM (1-PIECE WITH DUAL CART STOPS) - Continued



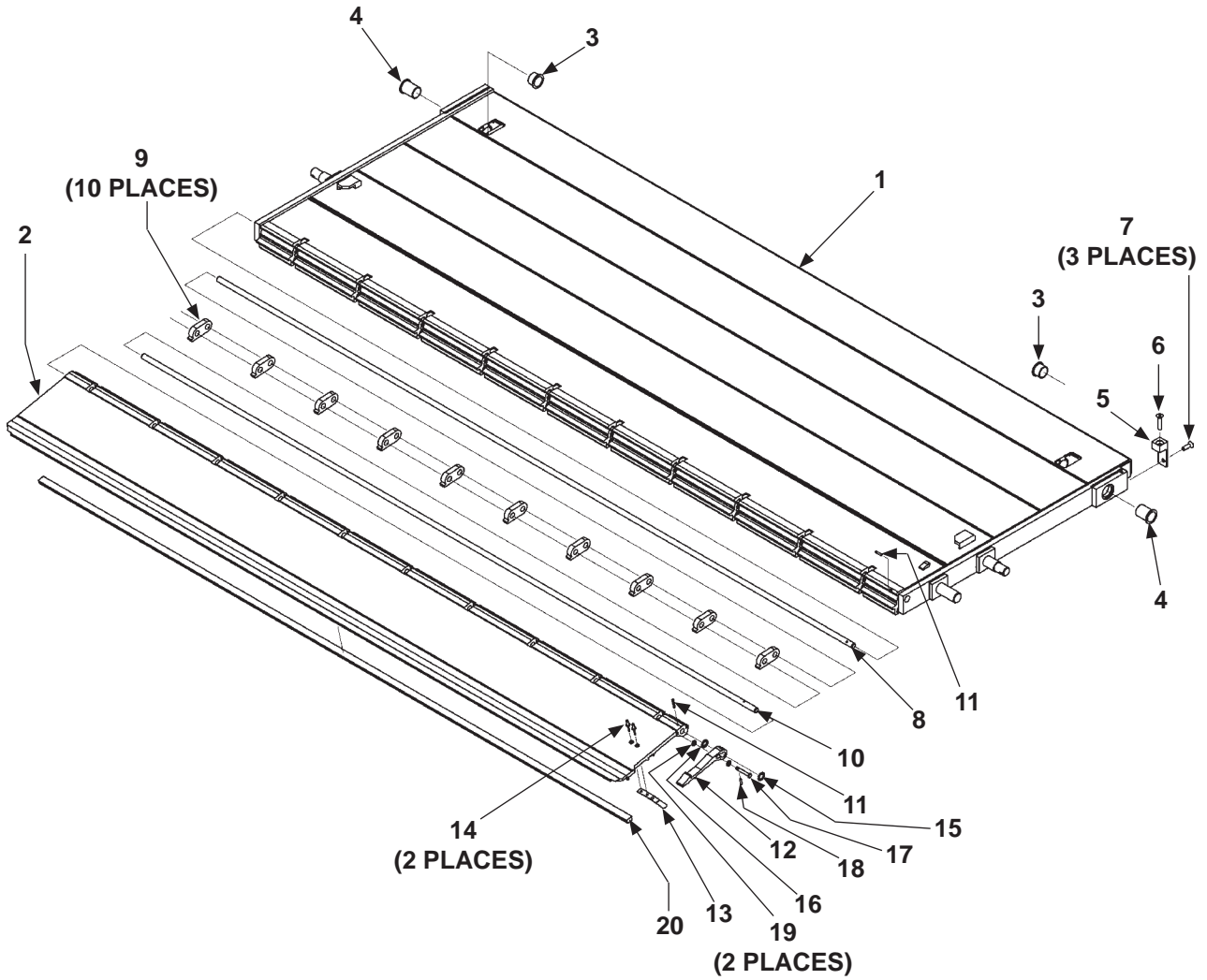
MAXON®

11921 Slauson Ave. Santa Fe Springs, CA. 90670 (800) 227-4116 FAX (888) 771-7713

| ITEM | QTY. | PART NO. | DESCRIPTION |
|------|------|-----------|--|
| 1 | 1 | 285395-04 | ALUMINUM PLATFORM ASSEMBLY 83-7/8" X 54" (48+6), DCS |
| | | 285395-08 | ALUMINUM PLATFORM ASSEMBLY 89-7/8" X 54" (48+6), DCS |
| | | 285395-12 | ALUMINUM PLATFORM ASSEMBLY 95-7/8" X 54" (48+6), DCS |
| 2 | 1 | 267092-41 | LH CART STOP WELDMENT, 38" LG. |
| | | 267092-43 | LH CART STOP WELDMENT, 41" LG. |
| | | 267092-45 | LH CART STOP WELDMENT, 44" LG. |
| 3 | 1 | 267092-42 | RH CART STOP WELDMENT, 38" LG.. |
| | | 267092-44 | RH CART STOP WELDMENT, 41" LG. |
| | | 267092-46 | RH CART STOP WELDMENT, 44" LG. |
| 4 | 1 | 267581-02 | FLIPOVER CART STOP SPRING, 3/4" X 42" LG. |
| 5 | 2 | 267088-01 | CART STOP LINK |
| 6 | 2 | 267094-03 | CART STOP PIN, 5" LG. |
| 7 | 1 | 267094-04 | CART STOP PIN, 9-3/4" LG. |
| 8 | 4 | 904719-03 | ROLL PIN, 3/16" I.D. X 9/16" LG. |
| 9 | 2 | 261837-02 | PLASTIC FLANGE BUSHING, 1" I.D. X 3/4" LG. |
| 10 | 2 | 261837-08 | PLASTIC FLANGE BUSHING, 1" I.D. X 1-1/2" LG. |
| 11 | 1 | 900712-02 | FLUSH SOCKET SCREW, 5/16"-18 X 1" LG. |
| 12 | 1 | 285579-01 | WEAR PLATE |
| 13 | 1 | 900712-01 | FLUSH SOCKET SCREW, 5/16"-18 X 1-1/2" LG. |
| 14 | 9 | 903705-02 | BLIND RIVET, DOME, 1/4" I.D. X 5/8" LG. |

PARTS BREAKDOWN

ALUMINUM PLATFORM (1-PIECE WITH ALUMINUM RETENTION RAMP)



MAXON®

11921 Slauson Ave. Santa Fe Springs, CA. 90670 (800) 227-4116 FAX (888) 771-7713

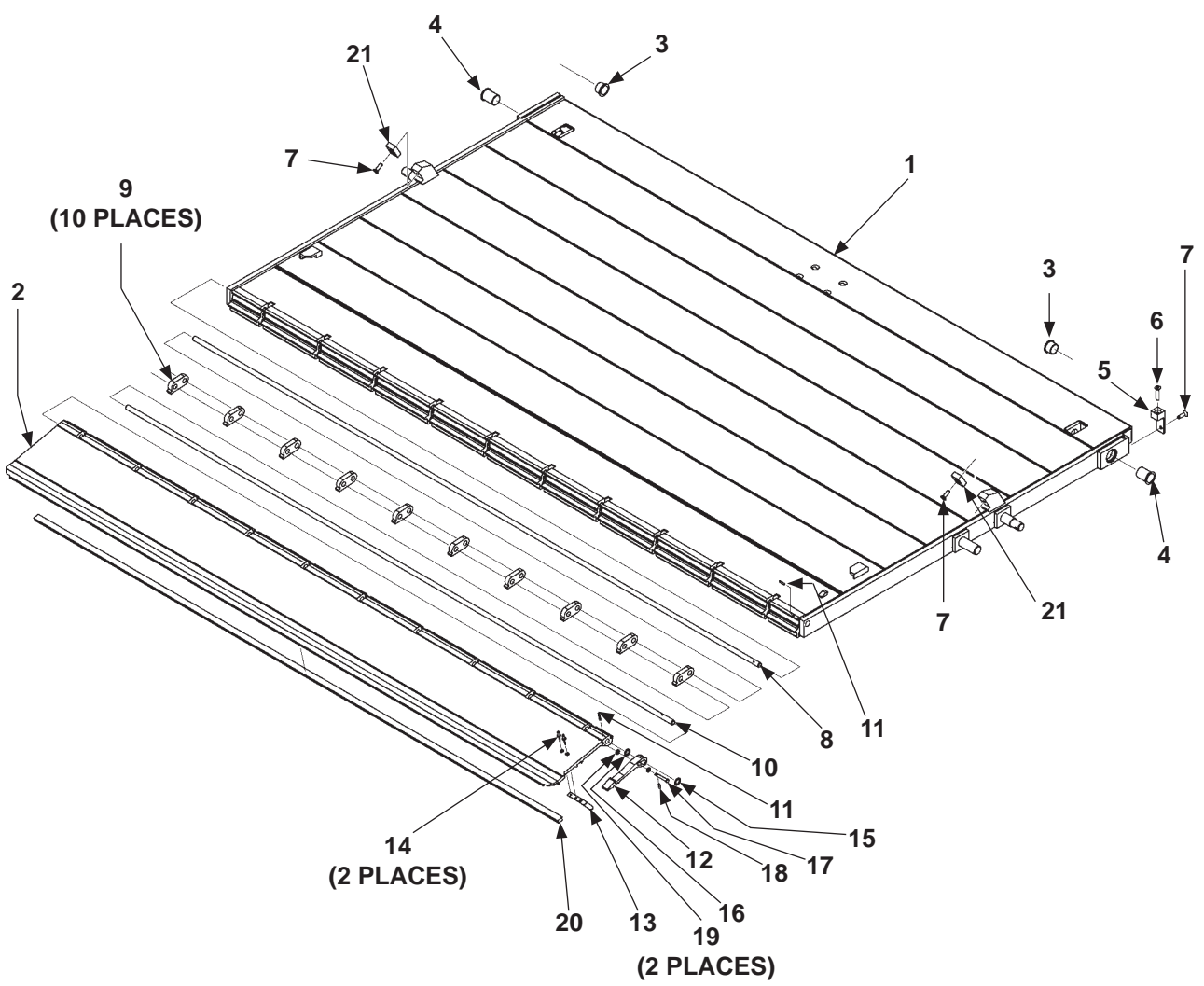
| ITEM | QTY. | PART NO. | DESCRIPTION |
|------|------|-----------|--|
| 1 | 1 | 285795-01 | ALUMINUM PLATFORM ASSEMBLY, 84" X 30", ARR 10" |
| | | 285795-02 | ALUMINUM PLATFORM ASSEMBLY, 84" X 36", ARR 10" |
| | | 285795-03 | ALUMINUM PLATFORM ASSEMBLY, 84" X 42", ARR 10" |
| | | 285795-05 | ALUMINUM PLATFORM ASSEMBLY, 90" X 30", ARR 10" |
| | | 285795-06 | ALUMINUM PLATFORM ASSEMBLY, 90" X 36", ARR 10" |
| | | 285795-07 | ALUMINUM PLATFORM ASSEMBLY, 90" X 42", ARR 10" |
| | | 285795-09 | ALUMINUM PLATFORM ASSEMBLY, 96" X 30", ARR 10" |
| | | 285795-10 | ALUMINUM PLATFORM ASSEMBLY 96" X 36", ARR 10" |
| | | 285795-11 | ALUMINUM PLATFORM ASSEMBLY, 96" X 42", ARR 10" |
| 2 | 1 | 267041-13 | PLATFORM RAMP, 78-5/8" LG. |
| | | 267041-14 | PLATFORM RAMP, 84-5/8" LG. |
| | | 267041-15 | PLATFORM RAMP, 90-5/8" LG. |
| 3 | 2 | 261837-02 | PLASTIC FLANGE BUSHING, 1" I.D. X 3/4" LG. |
| 4 | 2 | 261837-08 | PLASTIC FLANGE BUSHING, 1" I.D. X 1-1/2" LG. |
| 5 | 1 | 285579-01 | WEAR PLATE |
| 6 | 1 | 900712-01 | FLUSH SOCKET SCREW, 5/16"-18 X 1-1/2" LG. |
| 7 | 3 | 900712-02 | FLUSH SOCKET SCREW, 5/16"-18 X 1" LG. |
| 8 | 1 | 267045-17 | HINGE ROD, 1/2" DIA X 81-5/16" LG. |
| | | 267045-19 | HINGE ROD, 1/2" DIA X 87-5/16" LG. |
| | | 267045-21 | HINGE ROD, 1/2" DIA X 93-5/16" LG. |
| 9 | 10 | 311022-10 | FLIPOVER RAMP HINGE, 1/2" LG. |
| 10 | 1 | 267045-16 | HINGE ROD, 1/2" DIA X 78-1/2" LG. |
| | | 267045-18 | HINGE ROD, 1/2" DIA X 84-1/2" LG. |
| | | 267045-20 | HINGE ROD, 1/2" DIA X 90-1/2" LG. |
| 11 | 2 | 905007-07 | ROLL PIN, 5/32" X 1" LG. |
| 12 | 1 | 311038-11 | RETENSION RAMP HOOK |
| 13 | 1 | 267326-01 | RETENSION RAMP HOOK SPRING |
| 14 | 2 | 904005-1 | BLIND DOME RIVET, 3/16" X 7/16" LG. |
| 15 | 1 | 903420-01 | RETAINING RING, SELF-LOCKING, 1/2" |
| 16 | 1 | 903413-02 | NYLON WASHER, 1/2" I.D. X 1/16" THICK |
| 17 | 1 | 283951-01 | CLEVIS PIN, 1/4" X 1-5/8" LG. |
| 18 | 1 | 905007-03 | ROLL PIN, 5/32" X 5/8" LG. |
| 19 | 2 | 903421-02 | NYLON WASHER, 1/4" I.D. X 5/8" THICK |
| 20 | 1 | 905318-08 | BUMPER EXTRUSION, 9/16" X 9/32" X 75-1/4" LG. |

PARTS BREAKDOWN

ALUMINUM PLATFORM (1-PIECE WITH ALUMINUM RETENTION RAMP)

- Continued

MAXON®
 11921 Slauson Ave. Santa Fe Springs, CA. 90670 (800) 227-4116 FAX (888) 771-7713



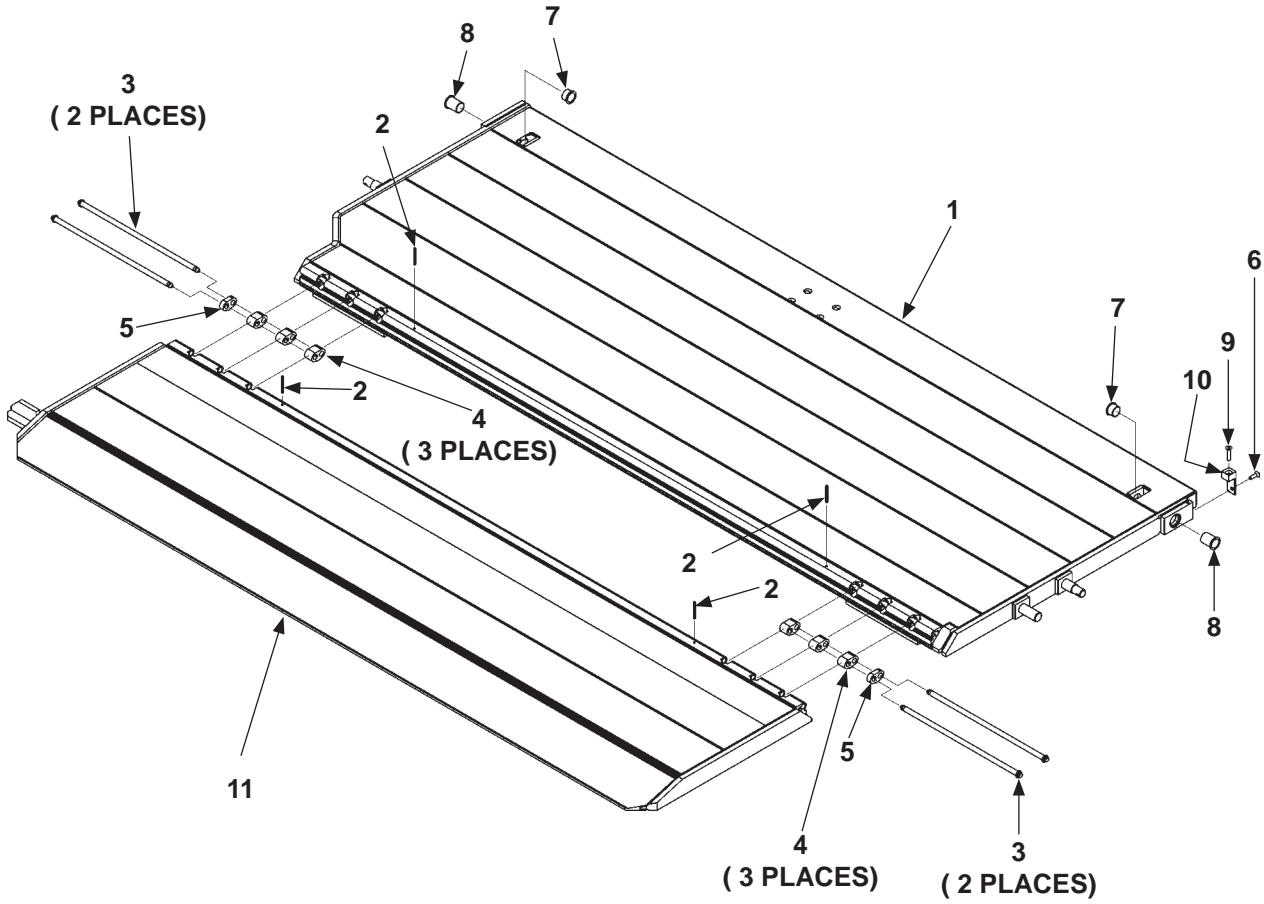
| ITEM | QTY. | PART NO. | DESCRIPTION |
|------|------|-----------|--|
| 1 | 1 | 285795-04 | ALUMINUM PLATFORM WELDMENT, 84" X 48", ARR 10" |
| | | 285795-08 | ALUMINUM PLATFORM WELDMENT, 90" X 48", ARR 10" |
| | | 285795-12 | ALUMINUM PLATFORM WELDMENT, 96" X 48", ARR 10" |
| 2 | 1 | 267041-13 | PLATFORM RAMP, 78-5/8" LG. |
| | | 267041-14 | PLATFORM RAMP, 84-5/8" LG. |
| | | 267041-15 | PLATFORM RAMP, 90-5/8" LG. |
| 3 | 2 | 261837-02 | PLASTIC FLANGE BUSHING, 1" I.D. X 3/4" LG. |
| 4 | 2 | 261837-08 | PLASTIC FLANGE BUSHING, 1" I.D. X 1-1/2" LG. |
| 5 | 1 | 285579-01 | WEAR PLATE |
| 6 | 1 | 900712-01 | FLUSH SOCKET SCREW, 5/16"-18 X 1-1/2" LG. |
| 7 | 3 | 900712-02 | FLUSH SOCKET SCREW, 5/16"-18 X 1" LG. |
| 8 | 1 | 267045-17 | HINGE ROD, 1/2" DIA X 81-5/16" LG. |
| | | 267045-19 | HINGE ROD, 1/2" DIA X 87-5/16" LG. |
| | | 267045-21 | HINGE ROD, 1/2" DIA X 93-5/16" LG. |
| 9 | 10 | 311022-10 | FLIPOVER RAMP HINGE, 1/2" LG. |
| 10 | 1 | 267045-16 | HINGE ROD, 1/2" DIA X 78-1/2" LG. |
| | | 267045-18 | HINGE ROD, 1/2" DIA X 84-1/2" LG. |
| | | 267045-20 | HINGE ROD, 1/2" DIA X 90-1/2" LG. |
| 11 | 2 | 905007-07 | PIN, ROLL 5/32" X 1" LG. |
| 12 | 1 | 311038-11 | RETENSION RAMP HOOK |
| 13 | 1 | 267326-01 | RETENSION RAMP HOOK SPRING |
| 14 | 2 | 904005-1 | BLIND DOME RIVET, 3/16" X 7/16" LG. |
| 15 | 1 | 903420-01 | RETAINING RING, SELF-LOCKING, 1/2" |
| 16 | 1 | 903413-02 | NYLON WASHER, 1/2" I.D. X 1/16" THICK |
| 17 | 1 | 283951-01 | CLEVIS PIN, 1/4" X 1-5/8" LG. |
| 18 | 1 | 905007-03 | ROLL PIN, 5/32" X 5/8" LG. |
| 19 | 2 | 903421-02 | NYLON WASHER, 1/4" I.D. X 5/8" THICK |
| 20 | 1 | 905318-08 | BUMPER EXTRUSION, 9/16" X 9/32" X 75-1/4" LG. |
| 21 | 1 | 286607-01 | PLATFORM STOP PAD |

PARTS BREAKDOWN

PLATFORM & FLIPOVER ASSEMBLY

MAXON[®]

11921 Slauson Ave. Santa Fe Springs, CA. 90670 (800) 227-4116 FAX (888) 771-7713



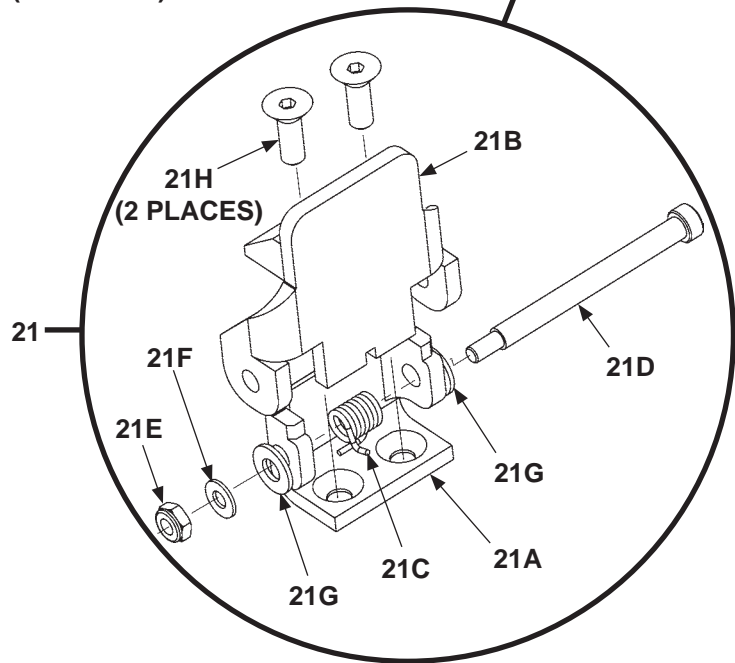
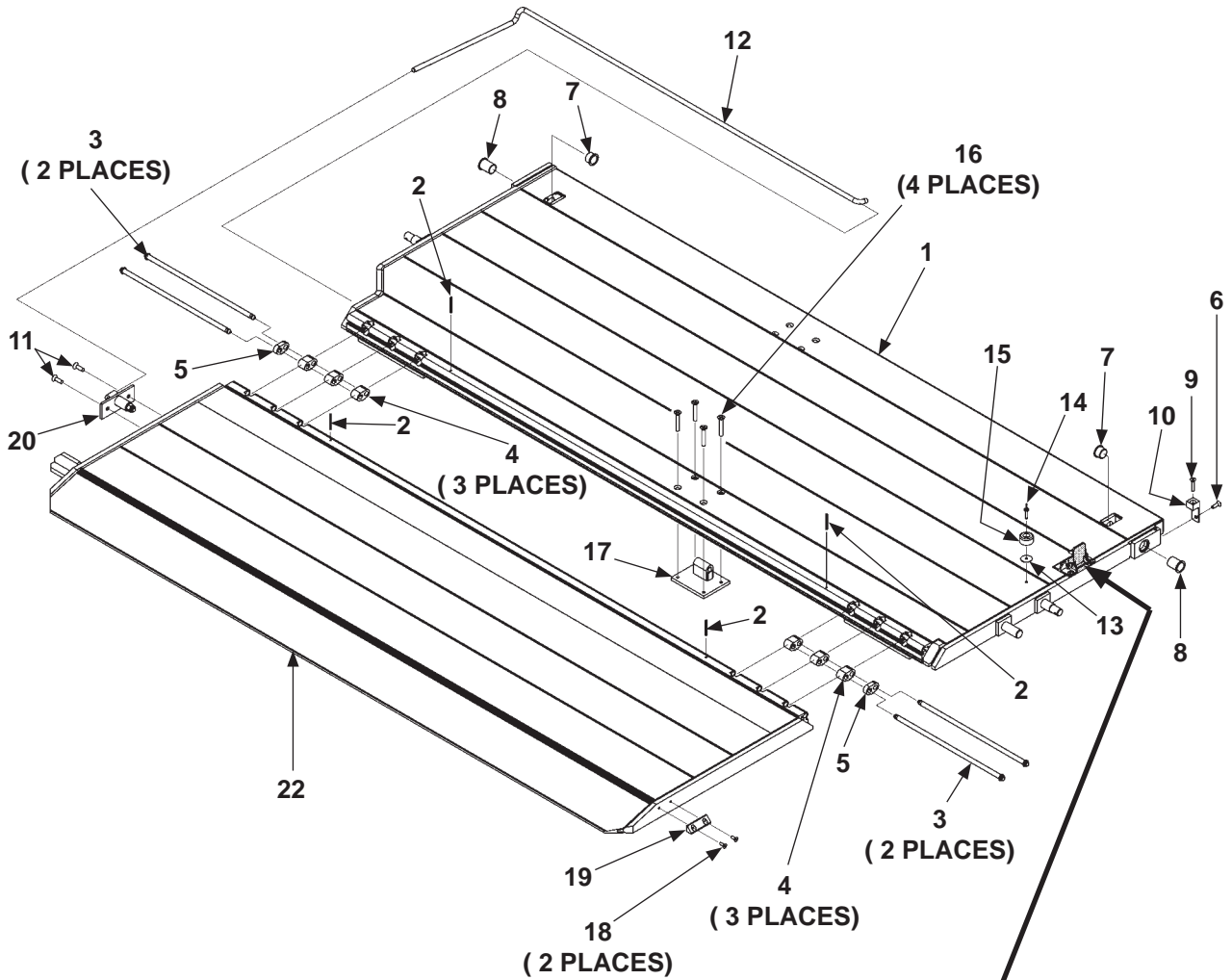
| ITEM | QTY. | PART NO. | DESCRIPTION |
|------|------|-----------|---|
| 1 | 1 | 285588-14 | ALUMINUM PLATFORM WELDMENT, 36" X 96" |
| | | 285588-15 | ALUMINUM PLATFORM WELDMENT, 30" x 84" |
| | | 285588-16 | ALUMINUM PLATFORM WELDMENT, 30" X 90" |
| | | 285588-17 | ALUMINUM PLATFORM WELDMENT, 30" X 96" |
| | | 285588-22 | ALUMINUM PLATFORM WELDMENT, 36" x 84" |
| | | 285588-23 | ALUMINUM PLATFORM WELDMENT, 36" X 90" |
| 2 | 4 | 904719-17 | ROLL PIN, 3/16" I.D. X 2" LG. |
| 3 | 4 | 282366-02 | HINGE PIN |
| 4 | 6 | 311046-10 | LINK SPACER, 1" LG. |
| 5 | 2 | 311046-11 | LINK SPACER, 1/2" LG. |
| 6 | 1 | 900712-02 | SOCKET SCREW, FLAT, 5/16"-18 X 1" LG. |
| 7 | 2 | 261837-02 | FLANGE BUSHING, PLASTIC, 1" I.D. X 3/4" LG. |
| 8 | 2 | 261837-08 | FLANGE BUSHING, PLASTIC, 1" I.D. X 1-1/2" LG. |
| 9 | 1 | 900712-01 | SOCKET SCREW, FLAT, 5/16"-18 X 1-1/2" LG. |
| 10 | 1 | 285579-01 | WEAR PLATE |
| 11 | 1 | 285586-25 | FLIPOVER WELDMENT, 79-1/8" X 24" (18+6) |
| | | 285586-26 | FLIPOVER WELDMENT, 85-1/8" X 24" (18+6) |
| | | 285586-27 | FLIPOVER WELDMENT, 91-1/8" X 24" (18+6) |

PARTS BREAKDOWN

PLATFORM & FLIPOVER ASSEMBLY (WITH TORSION BAR)

MAXON®

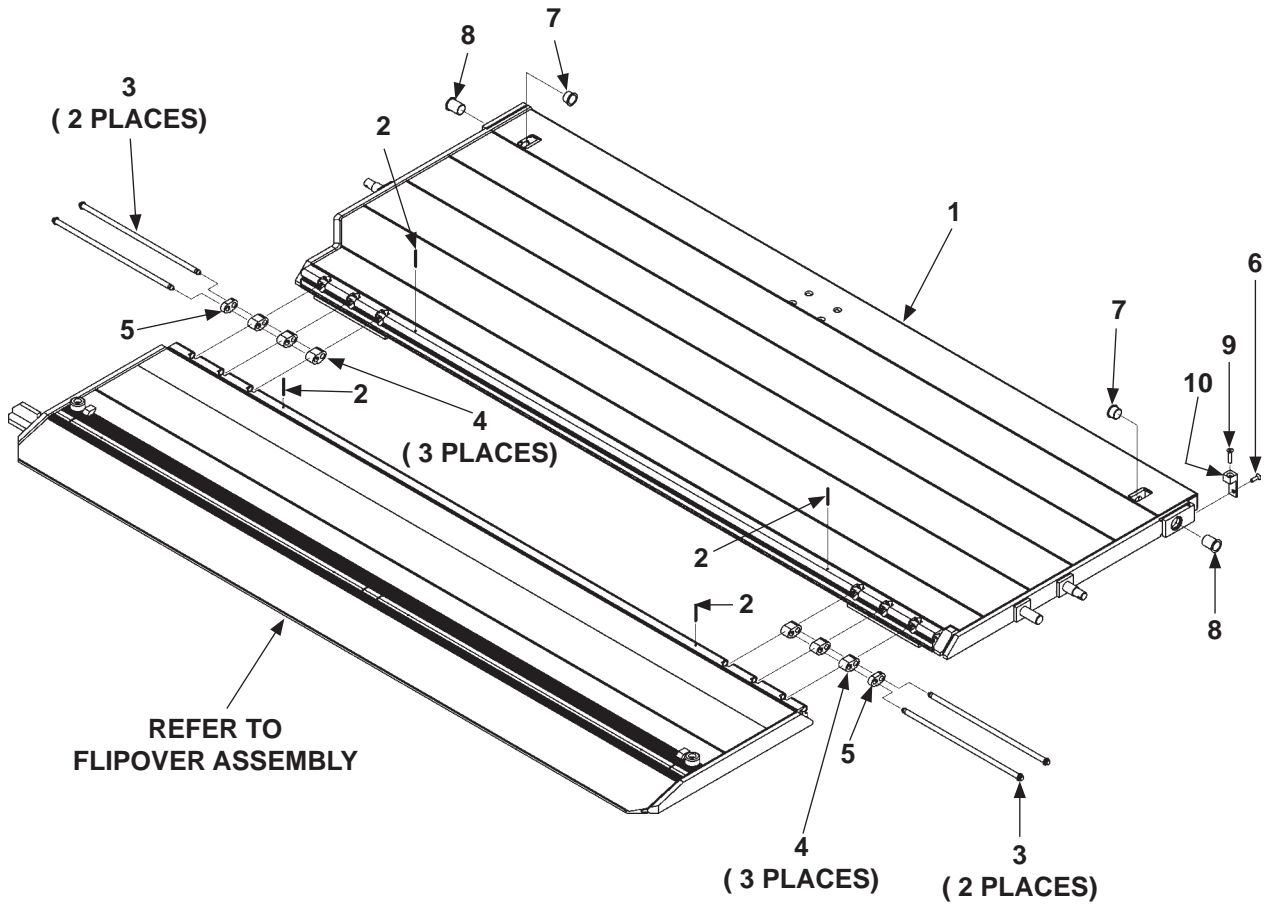
11921 Slauson Ave. Santa Fe Springs, CA. 90670 (800) 227-4116 FAX (888) 771-7713



| ITEM | QTY. | PART NO. | DESCRIPTION |
|------|------|-----------|--|
| 1 | 1 | 285588-01 | ALUMINUM PLATFORM WELDMENT, 39" X 90" |
| | | 285588-08 | ALUMINUM PLATFORM WELDMENT, 36" x 84", WITH HOLE |
| | | 285588-09 | ALUMINUM PLATFORM WELDMENT, 36" X 90", WITH HOLE |
| 2 | 4 | 904719-17 | ROLL PIN, 3/16" I.D. X 2" LG. |
| 3 | 4 | 282366-02 | HINGE PIN |
| 4 | 6 | 311046-10 | LINK SPACER, 1" LG. |
| 5 | 2 | 311046-11 | LINK SPACER, 1/2" LG. |
| 6 | 1 | 900712-02 | SOCKET SCREW, FLAT, 5/16"-18 X 1" LG. |
| 7 | 2 | 261837-02 | FLANGE BUSHING, PLASTIC, 1" I.D. X 3/4" LG. |
| 8 | 2 | 261837-08 | FLANGE BUSHING, PLASTIC, 1" I.D. X 1-1/2" LG. |
| 9 | 1 | 900712-01 | SOCKET SCREW, FLAT, 5/16"-18 X 1-1/2" LG. |
| 10 | 1 | 285579-01 | WEAR PLATE |
| 11 | 2 | 900061-5 | SOCKET SCREW, FLAT, 3/8"-16 X 1-1/4" LG. |
| 12 | 1 | 285765-01 | TORSION BAR |
| 13 | 1 | 903409-07 | FENDER WASHER, 9/32" I.D. X 1-1/4" O.D. |
| 14 | 1 | 903705-06 | BLIND DOME RIVET, 1/4" I.D. X 1-7/32" LG. |
| 15 | 1 | 905314-05 | BUMPER CYLINDER W/WASHER, 1-1/2" I.D. X 3/4" LG. |
| 16 | 4 | 900061-10 | SOCKET SCREW, FLAT, 3/8"-16 X 2-1/2" LG. |
| 17 | 1 | 285728-01 | TORSION BAR HOLDER WELDMENT |
| 18 | 2 | 900711-03 | SOCKET SCREW, FLAT, 1/4"-20 X 3/4" LG. |
| 19 | 1 | 285877-01 | FLIPOVER LOCK BAR |
| 20 | 1 | 285595-01 | TORSION BAR BRACKET ASSEMBLY |
| 21 | 1 | 285882-01 | LATCH ASSEMBLY (PLATFORM & FLIPOVER) |
| 21A | 1 | 285878-01 | LATCH SUPPORT BRACKET |
| 21B | 1 | 285881-01 | LOCK BAR WELDMENT |
| 21C | 1 | 282883-01 | TORSION SPRING |
| 21D | 1 | 900724-12 | SHOULDER SCREW, 1/4" X 2-12" LG. |
| 21E | 1 | 903129-01 | LOCK NUT, #10-14, NYLON, THIN |
| 21F | 1 | 903444-01 | FLAT WASHER, #10 |
| 21G | 2 | 903412-01 | FLAT WASHER, 1/4" |
| 21H | 2 | 900711-03 | FLAT SKT HEAD SCREW, 1/4"-20 X 3/4" LG. |
| 22 | 1 | 285586-01 | FLIPOVER WELDMENT, 85-1/8" X 36" (30+6) |
| | | 285586-16 | FLIPOVER WELDMENT, 79-1/8" X 30" (24+6) |
| | | 285586-17 | FLIPOVER WELDMENT, 85-1/8" X 30" (24+6) |

PARTS BREAKDOWN

PLATFORM & FLIPOVER ASSEMBLY WITH CART STOPS



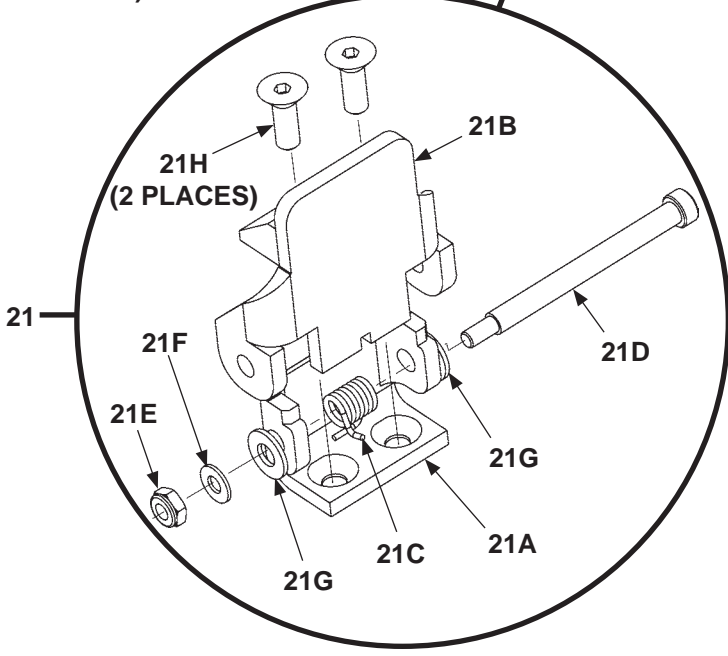
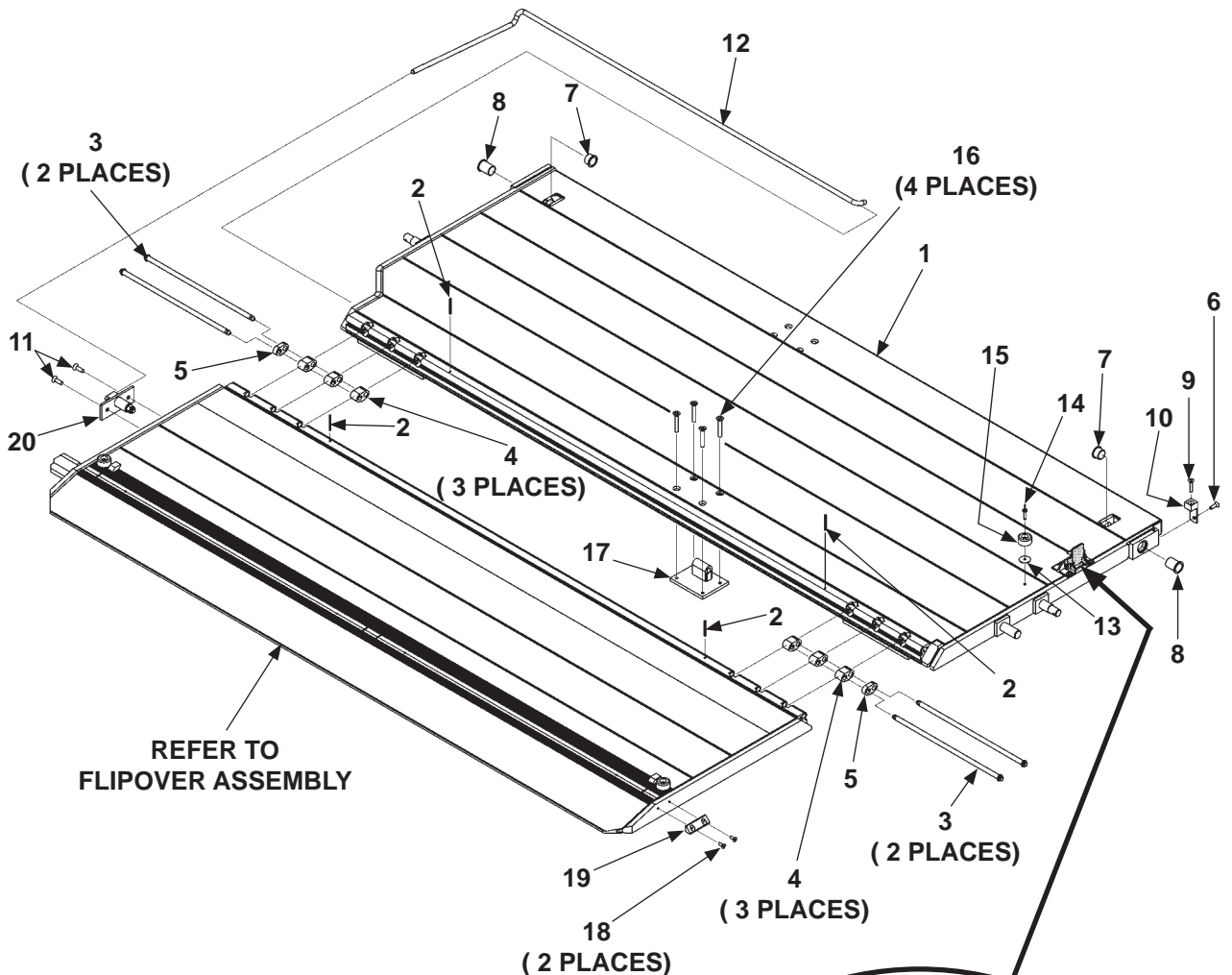
MAXON®

11921 Slauson Ave. Santa Fe Springs, CA. 90670 (800) 227-4116 FAX (888) 771-7713

| ITEM | QTY. | PART NO. | DESCRIPTION |
|------|------|-----------|---|
| 1 | 1 | 285588-14 | ALUMINUM PLATFORM WELDMENT, 36" X 96" |
| | | 285588-15 | ALUMINUM PLATFORM WELDMENT, 30" x 84" |
| | | 285588-16 | ALUMINUM PLATFORM WELDMENT, 30" X 90" |
| | | 285588-17 | ALUMINUM PLATFORM WELDMENT, 30" X 96" |
| | | 285588-22 | ALUMINUM PLATFORM WELDMENT, 36" x 84" |
| | | 285588-23 | ALUMINUM PLATFORM WELDMENT, 36" X 90" |
| 2 | 4 | 904719-17 | ROLL PIN, 3/16" I.D. X 2" LG. |
| 3 | 4 | 282366-02 | HINGE PIN |
| 4 | 6 | 311046-10 | LINK SPACER, 1" LG. |
| 5 | 2 | 311046-11 | LINK SPACER, 1/2" LG. |
| 6 | 1 | 900712-02 | SOCKET SCREW, FLAT, 5/16"-18 X 1" LG. |
| 7 | 2 | 261837-02 | FLANGE BUSHING, PLASTIC, 1" I.D. X 3/4" LG. |
| 8 | 2 | 261837-08 | FLANGE BUSHING, PLASTIC, 1" I.D. X 1-1/2" LG. |
| 9 | 1 | 900712-01 | SOCKET SCREW, FLAT, 5/16"-18 X 1-1/2" LG. |
| 10 | 1 | 285579-01 | WEAR PLATE |

PARTS BREAKDOWN

PLATFORM & FLIPOVER ASSEMBLY (WITH CARTS STOPS AND TORSION BAR)

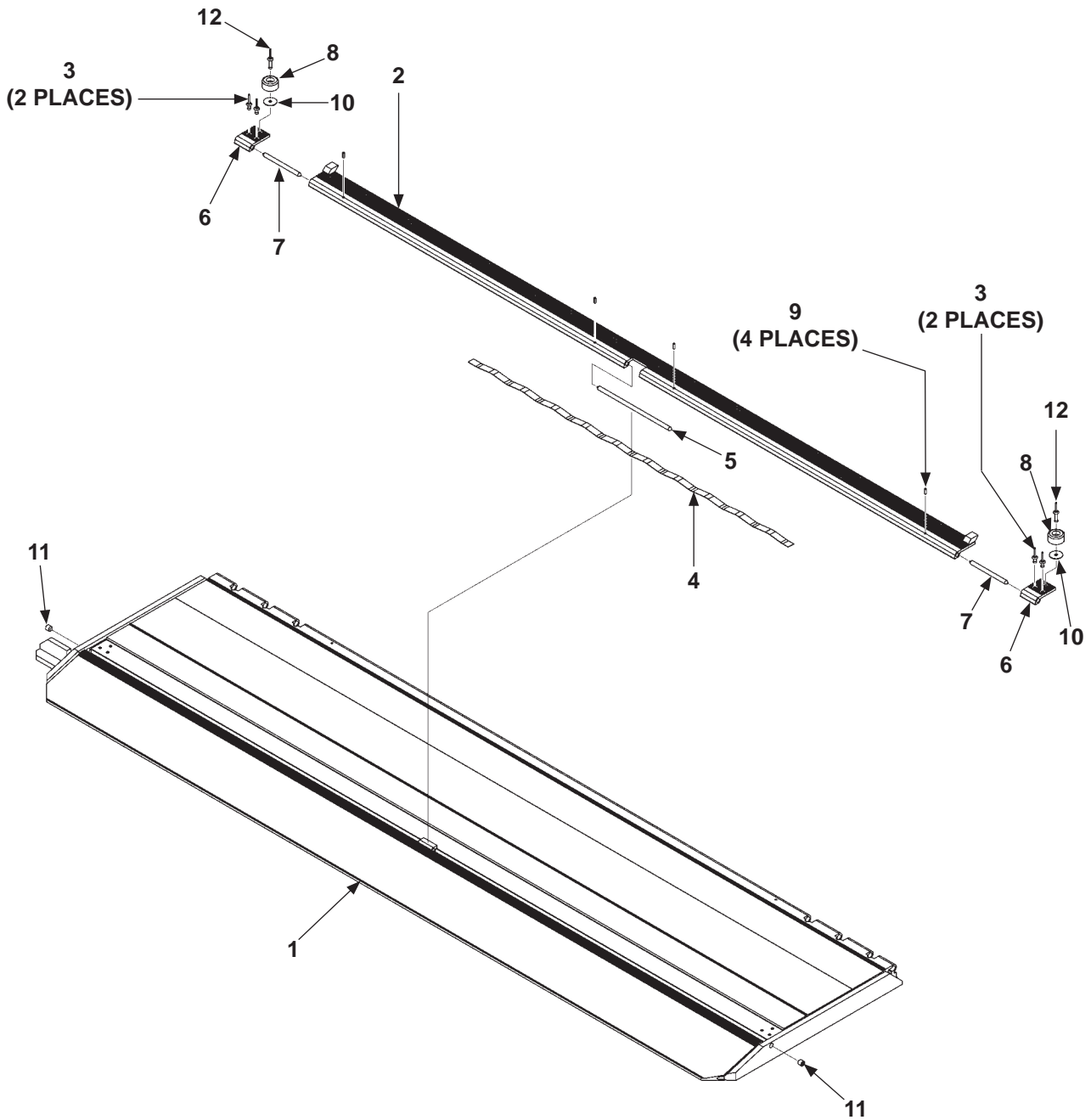


MAXON®
 11921 Slauson Ave. Santa Fe Springs, CA. 90670 (800) 227-4116 FAX (888) 771-7713

| ITEM | QTY. | PART NO. | DESCRIPTION |
|------|------|-----------|---|
| 1 | 1 | 285588-02 | ALUMINUM PLATFORM WELDMENT, 39" X 90" |
| | | 285588-03 | ALUMINUM PLATFORM WELDMENT, 36" X 90" |
| | | 285588-04 | ALUMINUM PLATFORM WELDMENT, 36" X 96" |
| | | 285588-05 | ALUMINUM PLATFORM WELDMENT, 42" X 84" |
| | | 285588-06 | ALUMINUM PLATFORM WELDMENT, 42" X 90" |
| | | 285588-07 | ALUMINUM PLATFORM WELDMENT, 42" X 96" |
| 2 | 4 | 904719-17 | ROLL PIN, 3/16" I.D. X 2" LG. |
| 3 | 4 | 282366-02 | HINGE PIN |
| 4 | 6 | 311046-10 | LINK SPACER, 1" LG. |
| 5 | 2 | 311046-11 | LINK SPACER, 1/2" LG. |
| 6 | 1 | 900712-02 | SOCKET SCREW, FLAT, 5/16"-18 X 1" LG. |
| 7 | 2 | 261837-02 | FLANGE BUSHING, PLASTIC, 1" I.D. X 3/4" LG. |
| 8 | 2 | 261837-08 | FLANGE BUSHING, PLASTIC, 1" I.D. X 1-1/2" LG. |
| 9 | 1 | 900712-01 | SOCKET SCREW, FLAT, 5/16"-18 X 1-1/2" LG. |
| 10 | 1 | 285579-01 | WEAR PLATE |
| 11 | 2 | 900061-5 | SOCKET SCREW, FLAT, 3/8"-16 X 1-1/4" LG. |
| 12 | 1 | 285765-01 | TORSION BAR |
| 13 | 1 | 903409-07 | FENDER WASHER, 9/32" I.D. X 1-1/4" O.D. |
| 14 | 1 | 903705-06 | BLIND DOME RIVET, 1/4" I.D. X 1-7/32" LG. |
| 15 | 1 | 905314-05 | BUMPER CYLINDER WITH WASHER, 1-1/2" I.D. X 3/4" LG. |
| 16 | 4 | 900061-10 | SOCKET SCREW, FLAT, 3/8"-16 X 2-1/2" LG. |
| 17 | 1 | 285728-01 | TORSION BAR HOLDER WELDMENT |
| 18 | 2 | 900711-03 | SOCKET SCREW, FLAT, 1/4"-20 X 3/4" LG. |
| 19 | 1 | 285877-01 | FLIPOVER LOCK BAR |
| 20 | 1 | 285595-01 | TORSION BAR BRACKET ASSEMBLY |
| 21 | 1 | 285882-01 | LATCH ASSEMBLY (PLATFORM & FLIPOVER) |
| 21A | 1 | 285878-01 | LATCH SUPPORT BRACKET |
| 21B | 1 | 285881-01 | LOCK BAR WELDMENT |
| 21C | 1 | 282883-01 | TORSION SPRING |
| 21D | 1 | 900724-12 | SHOULDER SCREW, 1/4" X 2-12" LG. |
| 21E | 1 | 903129-01 | LOCK NUT, #10-14, NYLON, THIN |
| 21F | 1 | 903444-01 | FLAT WASHER, #10 |
| 21G | 2 | 903412-01 | FLAT WASHER, 1/4" |
| 21H | 2 | 900711-03 | FLAT SKT HEAD SCREW, 1/4"-20 X 3/4" LG. |

PARTS BREAKDOWN

FLIPOVER ASSEMBLY (WITH SINGLE CART STOP)



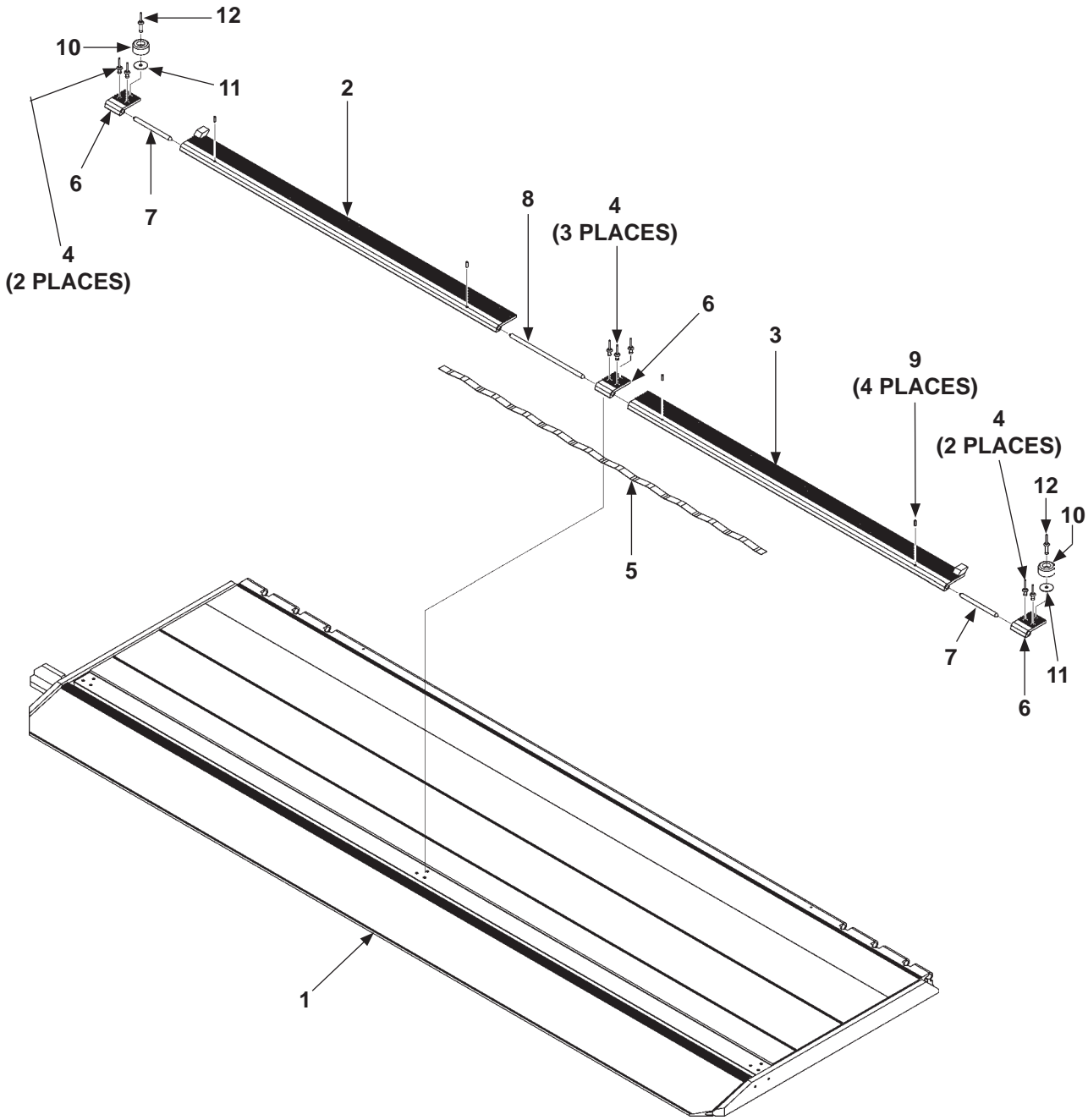
MAXON®

11921 Slauson Ave. Santa Fe Springs, CA. 90670 (800) 227-4116 FAX (888) 771-7713

| ITEM | QTY. | PART NO. | DESCRIPTION |
|------|------|-----------|---|
| 1 | 1 | 285769-16 | FLIPOVER ASSEMBLY 79-1/8" X 24" (18" + 6"), SCS |
| | | 285769-17 | FLIPOVER ASSEMBLY 85-1/8" X 24" (18" + 6"), SCS |
| | | 285769-18 | FLIPOVER ASSEMBLY 91-1/8" X 24" (18" + 6"), SCS |
| 2 | 1 | 267092-65 | CART STOP WELDMENT, 78-3/8" LG. |
| | | 267092-66 | CART STOP WELDMENT, 79-3/8" LG. |
| | | 267092-67 | CART STOP WELDMENT, 85-3/8" LG. |
| 3 | 4 | 903705-02 | BLIND RIVET, DOME, 1/4" I.D. X 5/8" LG. |
| 4 | 1 | 267581-02 | FLIPOVER CART STOP SPRING, 3/4" X 42" LG. |
| 5 | 1 | 267094-04 | CART STOP PIN, 9-3/4" LG. |
| 6 | 2 | 267088-01 | CART STOP LINK |
| 7 | 2 | 267094-03 | CART STOP PIN, 5" LG. |
| 8 | 2 | 905314-05 | BUMPER CYLINDER |
| 9 | 4 | 904719-03 | ROLL PIN, 3/16" I.D. X 9/16" LG. |
| 10 | 2 | 903409-07 | FLAT WASHER 1/4" I.D. X 1-1/4" O.D. |
| 11 | 2 | 901209-02 | SET SCREW, HEX,CUP, 1/2"-20 X 1/2" LG. |
| 12 | 2 | 903705-06 | BLIND RIVET, DOME, 1/4" I.D. X 1-3/16" LG. |

| ITEM | QTY. | PART NO. | DESCRIPTION |
|------|------|-----------|---|
| | | 285769-10 | FLIPOVER ASSEMBLY 79-1/8" X 30" (24" + 6"), SCS |
| | | 285769-11 | FLIPOVER ASSEMBLY 80" X 72" (42" + 30" + 6"), SCS |
| | | 285769-08 | FLIPOVER ASSEMBLY 85-1/8" X 36" (30" + 6"), SCS |
| | | 285769-12 | FLIPOVER ASSEMBLY 91-1/8" X 30" (24" + 6"), SCS |
| | | 285769-09 | FLIPOVER ASSEMBLY 91-1/8" X 36" (30" + 6"), SCS |
| 2 | 1 | 267092-65 | CART STOP WELDMENT, 78-3/8" LG. |
| | | 267092-66 | CART STOP WELDMENT, 79-3/8" LG. |
| | | 267092-67 | CART STOP WELDMENT, 85-3/8" LG. |
| 3 | 4 | 903705-02 | BLIND RIVET, DOME, 1/4" I.D. X 5/8" LG. |
| 4 | 1 | 267581-02 | FLIPOVER CART STOP SPRING, 3/4" X 42" LG. |
| 5 | 1 | 267094-04 | CART STOP PIN, 9-3/4" LG. |
| 6 | 2 | 267088-01 | CART STOP LINK |
| 7 | 2 | 267094-03 | CART STOP PIN, 5" LG. |
| 8 | 2 | 905314-05 | BUMPER CYLINDER |
| 9 | 4 | 904719-03 | ROLL PIN, 3/16" I.D. X 9/16" LG. |
| 10 | 2 | 903409-07 | FLAT WASHER 1/4" I.D. X 1-1/4" O.D. |
| 11 | 2 | 901209-02 | SET SCREW, HEX,CUP, 1/2"-20 X 1/2" LG. |
| 12 | 2 | 903705-06 | BLIND RIVET, DOME, 1/4" I.D. X 1-3/16" LG. |

PARTS BREAKDOWN FLIPOVER ASSEMBLY (WITH DUAL CART STOPS)



MAXON®

11921 Slauson Ave. Santa Fe Springs, CA. 90670 (800) 227-4116 FAX (888) 771-7713

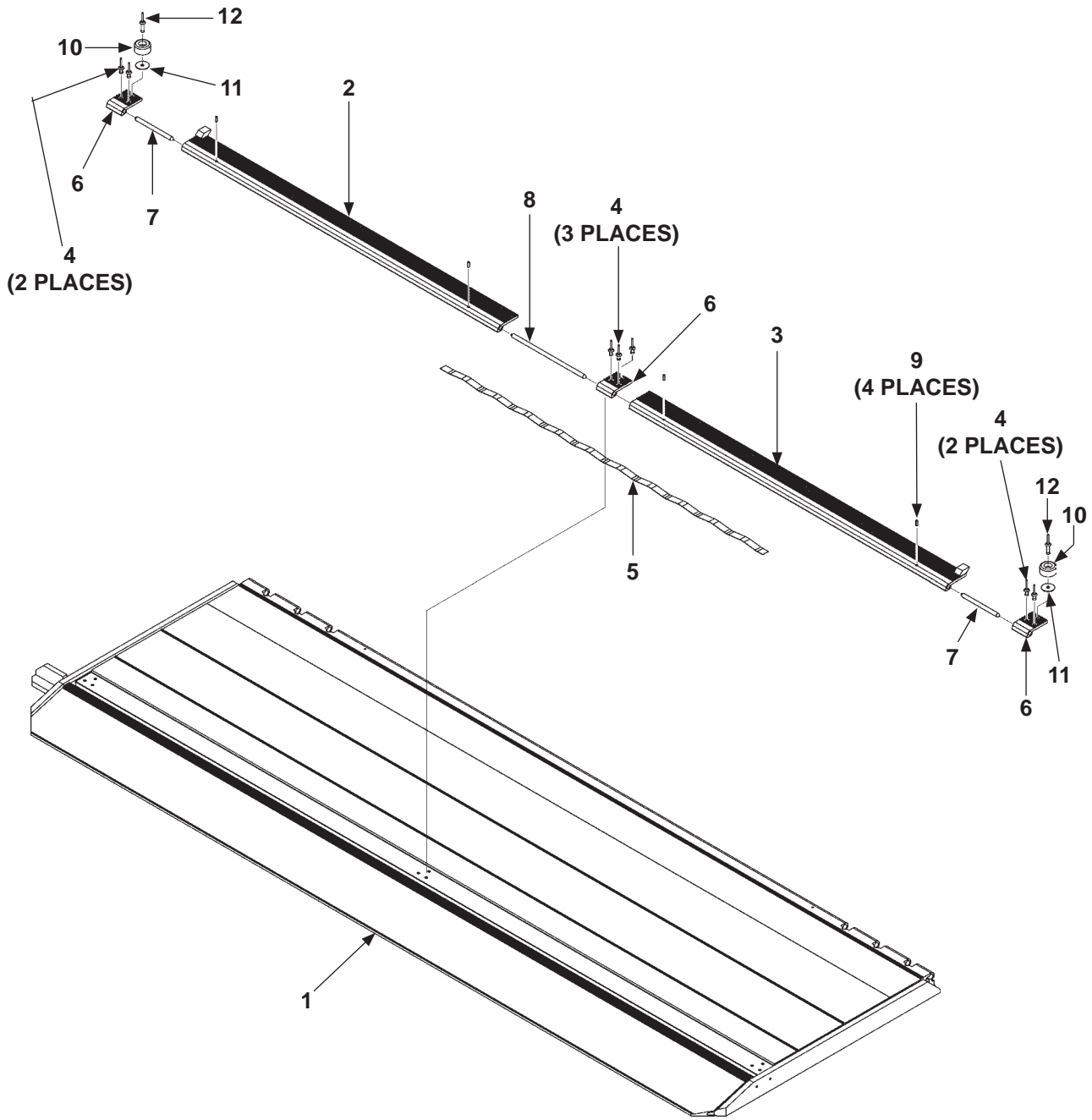
| ITEM | QTY. | PART NO. | DESCRIPTION |
|------|------|-----------|---|
| 1 | 1 | 285769-13 | FLIPOVER ASSEMBLY 79-1/8" X 24" (18" + 6"), DCS |
| | | 285769-14 | FLIPOVER ASSEMBLY 85-1/8" X 24" (18" + 6"), DCS |
| | | 285769-15 | FLIPOVER ASSEMBLY 91-1/8" X 24" (18" + 6"), DCS |
| 2 | 1 | 267092-59 | LH CART STOP WELDMENT, 35-5/8" LG. |
| | | 267092-61 | LH CART STOP WELDMENT, 38-5/8" LG. |
| | | 267092-63 | LH CART STOP WELDMENT, 41-5/8" LG. |
| 3 | 1 | 267092-60 | RH CART STOP WELDMENT, 35-5/8" LG. |
| | | 267092-62 | RH CART STOP WELDMENT, 38-5/8" LG. |
| | | 267092-64 | RH CART STOP WELDMENT, 41-5/8" LG. |
| 4 | 7 | 903705-02 | BLIND RIVET, DOME, 1/4" I.D. X 5/8" |
| 5 | 1 | 267581-02 | FLIPOVER CART STOP SPRING, 3/4" X 42" LG. |
| 6 | 3 | 267088-01 | CART STOP LINK |
| 7 | 2 | 267094-03 | CART STOP PIN, 5" LG. |
| 8 | 1 | 267094-04 | CART STOP PIN, 9-3/4" LG. |
| 9 | 4 | 904719-03 | ROLL PIN, 3/16" I.D. X 9/16" LG. |
| 10 | 2 | 905314-05 | BUMPER CYLINDER |
| 11 | 2 | 903409-07 | FLAT WASHER 1/4" I.D. X 1-1/4" O.D. |
| 12 | 2 | 903705-06 | BLIND RIVET, DOME, 1/4" I.D. X 1-3/16" LG. |

MAXON[®]

11921 Slauson Ave. Santa Fe Springs, CA. 90670 (800) 227-4116 FAX (888) 771-7713

PARTS BREAKDOWN

FLIPOVER ASSEMBLY (WITH DUAL CART STOPS AND TORSION BAR)



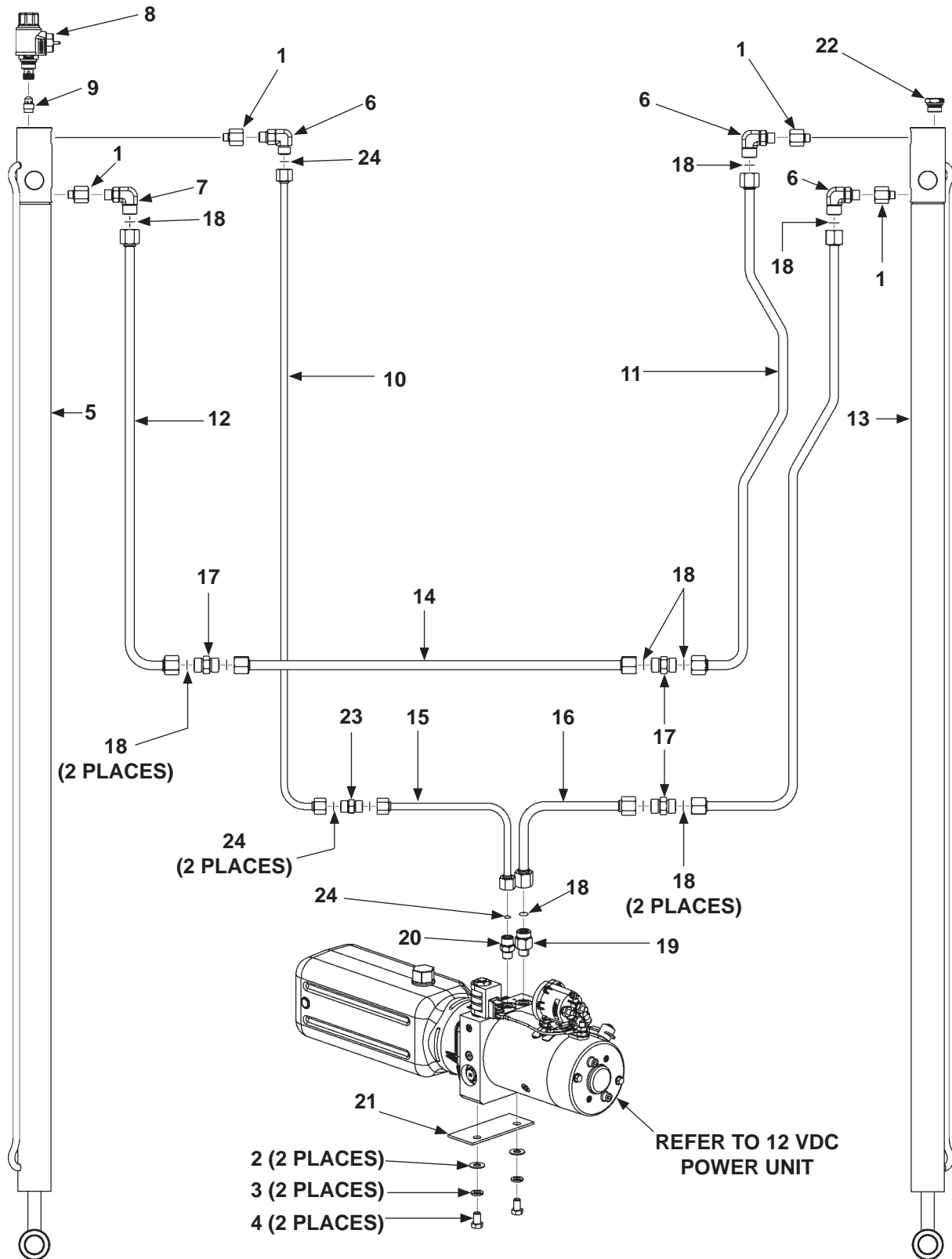
| ITEM | QTY. | PART NO. | DESCRIPTION |
|------|------|-----------|---|
| 1 | 1 | 285769-04 | FLIPOVER ASSEMBLY 79-1/8" X 30" (24" + 6"), DCS |
| | | 285769-01 | FLIPOVER ASSEMBLY 79-1/8" X 36" (30" + 6"), DCS |
| | | 285769-05 | FLIPOVER ASSEMBLY 85-1/8" X 30" (24" + 6"), DCS |
| | | 285769-02 | FLIPOVER ASSEMBLY 85-1/8" X 36" (30" + 6"), DCS |
| | | 285769-03 | FLIPOVER ASSEMBLY 91-1/8" X 36" (30" + 6"), DCS |
| 2 | 1 | 267092-59 | LH CART STOP WELDMENT, 35-5/8" LG. |
| | | 267092-61 | LH CART STOP WELDMENT, 38-5/8" LG. |
| | | 267092-63 | LH CART STOP WELDMENT, 41-5/8" LG. |
| 3 | 1 | 267092-60 | RH CART STOP WELDMENT, 35-5/8" LG. |
| | | 267092-62 | RH CART STOP WELDMENT, 38-5/8" LG. |
| | | 267092-64 | RH CART STOP WELDMENT, 41-5/8" LG. |
| 4 | 7 | 903705-02 | BLIND RIVET, DOME, 1/4" I.D. X 5/8" LG. |
| 5 | 1 | 267581-02 | FLIPOVER CART STOP SPRING, 3/4" X 42" LG. |
| 6 | 3 | 267088-01 | CART STOP LINK |
| 7 | 2 | 267094-03 | CART STOP PIN, 5" LG. |
| 8 | 1 | 267094-04 | CART STOP PIN, 9-3/4" LG. |
| 9 | 4 | 904719-03 | ROLL PIN, 3/16" I.D. X 9/16" LG. |
| 10 | 2 | 905314-05 | BUMPER CYLINDER |
| 11 | 2 | 903409-07 | FLAT WASHER 1/4" I.D. X 1-1/4" O.D. |
| 12 | 2 | 903705-06 | BLIND RIVET, DOME, 1/4" I.D. X 1-3/16" LG. |

PARTS BREAKDOWN

HYDRAULIC COMPONENTS

MAXON

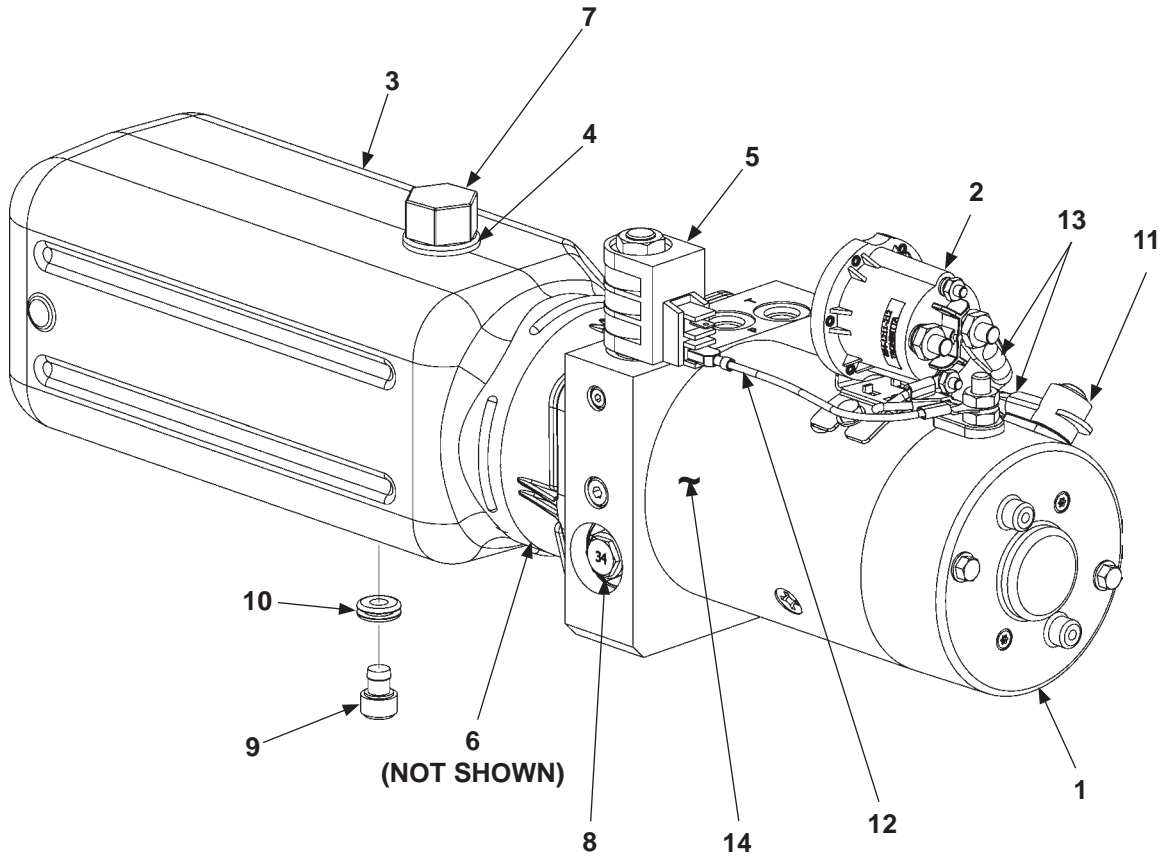
11921 Slauson Ave. Santa Fe Springs, CA. 90670 (800) 227-4116 FAX (888) 771-7713



| ITEM | QTY. | PART NO. | DESCRIPTION |
|------|------|------------|--|
| 1 | 4 | 906761-01 | CONNECTOR, #4M - #6F, O-RING |
| 2 | 2 | 903409-03 | FENDER WASHER, 13/32" I.D. X 7/8" O.D. |
| 3 | 2 | 902019-5 | LOCK WASHER, 11/16" O.D. X 7/8" I.D. |
| 4 | 2 | 900764-03 | HEX CAP SCREW, 3/8"-16 X 5/8" LG. |
| 5 | 1 | 283190-01 | HYDRAULIC MASTER CYLINDER |
| 6 | 3 | 906704-02 | ELBOW, NPSC, SAE #6 FACE SEAL, O-RING |
| 7 | 1 | 905158 | STRAIGHT ELBOW SAE #6 FACE SEAL, O-RING |
| 8 | 2 | IS 5-30036 | 12V LOGIC VALVE |
| 9 | 1 | 906717-02 | FLOW CONTROL VALVE, 1.5 GPM |
| 10 | 1 | 286440-01 | LH COLUMN FACE SEAL TUBE ASSEMBLY, 63-3/8" LG. |
| 11 | 1 | 285405-01 | RH COLUMN FACE SEAL TUBE ASSEMBLY, 3/8" O.D. |
| 12 | 1 | 283212-05 | RETURN LINE ASSEMBLY, LH COLUMN |
| 13 | 1 | 283190-02 | HYDRAULIC SLAVE CYLINDER |
| 14 | 1 | 283246-02 | SEAL TUBE ASSEMBLY, 1/2" X 77" LG. |
| | | 283246-01 | SEAL TUBE ASSEMBLY, 1/2" X 81" LG. |
| | | 283246-03 | SEAL TUBE ASSEMBLY, 1/2" X 89" LG. |
| 15 | 1 | 283556-02 | LH HYDRAULIC LINE (FACE SEAL), 53-15/16" LG. |
| | | 283556-03 | LH HYDRAULIC LINE (FACE SEAL), 55-15/16" LG. |
| | | 283556-04 | LH HYDRAULIC LINE (FACE SEAL), 58-15/16" LG. |
| 16 | 1 | 283212-02 | RETURN LINE ASSEMBLY, 23-1/4" LG. |
| | | 283212-03 | RETURN LINE ASSEMBLY, 26-1/4" LG. |
| | | 283212-04 | RETURN LINE ASSEMBLY, 29-1/4" LG. |
| 17 | 3 | 905161 | UNION FACE SEAL, #8 M-M |
| 18 | 10 | 906712-03 | O-RING, #8, 1/2" ORIFICE FACE SEAL TUBE END |
| 19 | 1 | 906762-01 | CONNECTOR, #8 FS, #6 O-RING, M-M |
| 20 | 1 | 905173 | CONNECTOR, #6 FS, #6 O-RING, M-M |
| 21 | 1 | 269358-02 | RUBBER PLATE, DMD PUMP |
| 22 | 1 | 906864-01 | HEX HEAD PLUG, M20 X 1-1/2" THREAD |
| 23 | 1 | 905175 | UNION FACE SEAL, #6 M-M |
| 24 | 4 | 906712-02 | O-RING, #6, 3/8" ORIFICE FACE SEAL TUBE END |

PARTS BREAKDOWN

12 VDC POWER UNIT



MAXON[®]

11921 Slauson Ave. Santa Fe Springs, CA. 90670 (800) 227-4116 FAX (888) 771-7713

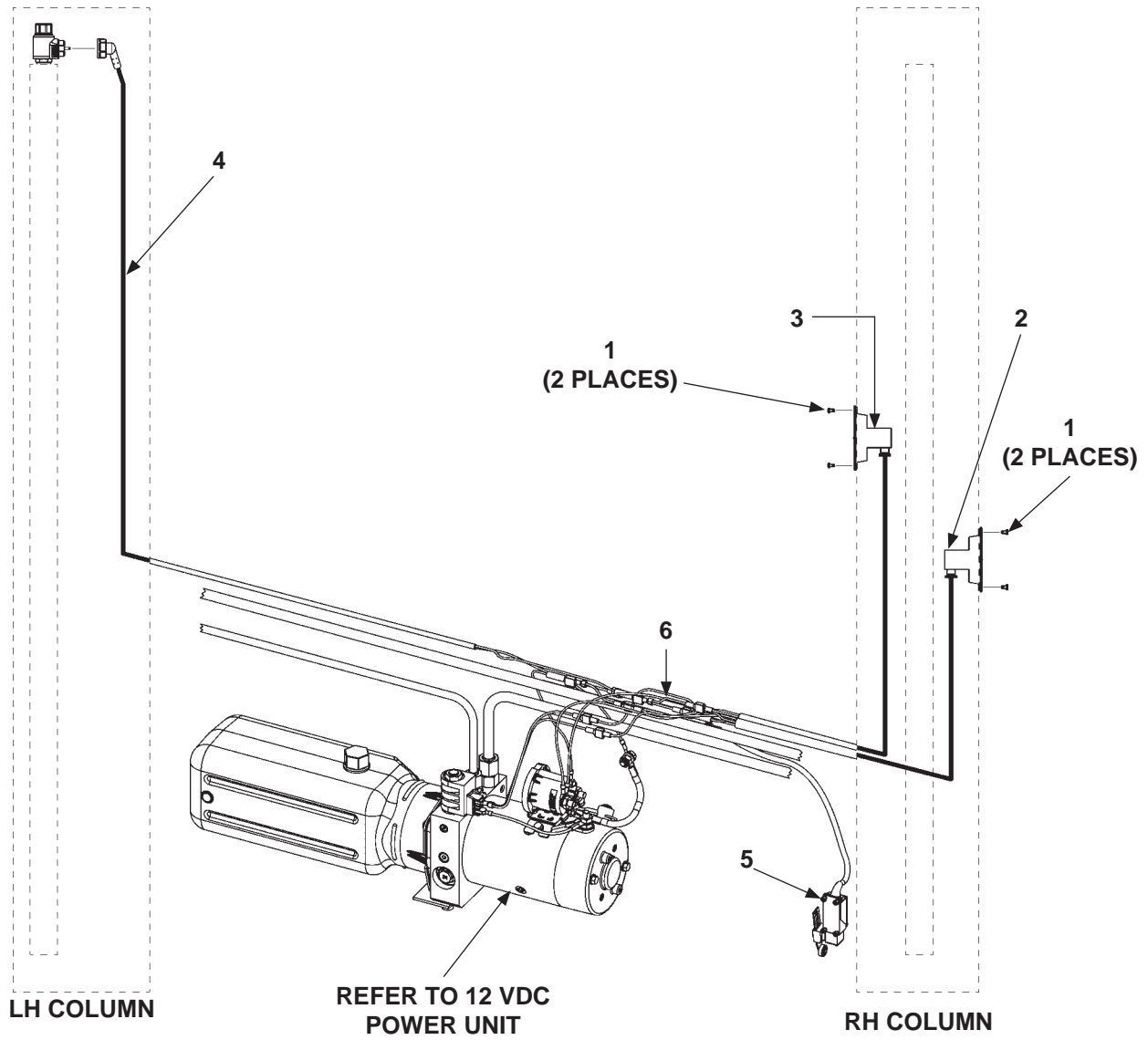
| ITEM | QTY. | PART NO. | DESCRIPTION |
|------|------|-----------|------------------------------------|
| REF | 1 | 286191-01 | 12 VDC POWER UNIT (GD) |
| 1 | 1 | 269582-01 | 12 VDC MOTOR |
| 2 | 1 | 284080-01 | 12 VDC STARTER SOLENOID SWITCH |
| 3 | 1 | 905364-01 | RESERVOIR, PLASTIC, 4 QUART |
| 4 | 1 | 908016-01 | RUBBER GROMMET |
| 5 | 1 | 906822-01 | VALVE, 2-POLE SWITCH |
| 6 | 1 | 286192-01 | PUMP, PRESSURE LOADED, (NOT SHOWN) |
| 7 | 1 | 280806-01 | BREATHER FILLER CAP |
| 8 | 1 | 906737-01 | RELIEF VALVE ASSEMBLY |
| 9 | 1 | 908017-01 | DRAIN PLUG |
| 10 | 1 | 908018-01 | GROMMET, 1-3/8" I.D. |
| 11 | 1 | 905339-01 | INSULATOR BOOT |
| 12 | 1 | 285224-01 | GROUND WIRE |
| 13 | 1 | 280404 | CABLE |
| 14 | 1 | 905365-01 | COUPLING (HIDDEN FROM VIEW) |

PARTS BREAKDOWN

ELECTRICAL COMPONENTS

MAXON®

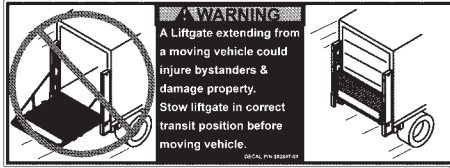
11921 Slauson Ave. Santa Fe Springs, CA. 90670 (800) 227-4116 FAX (888) 771-7713



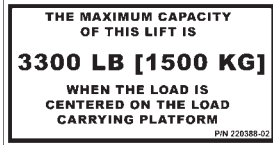
| ITEM | QTY. | PART NO. | DESCRIPTION |
|------|------|-----------|--|
| 1 | 4 | 900766-01 | SELF TAPPING SCREW, #10-24" X 3/8" LG. |
| 2 | 1 | 283725-01 | SWITCH & CABLE ASSEMBLY |
| 3 | 1 | 283725-03 | SWITCH & CABLE ASSEMBLY |
| 4 | 1 | 283554-01 | CONNECTOR ASSEMBLY, 132" LG. |
| 5 | 1 | 286146-01 | CABLE & LIMIT SWITCH ASSEMBLY |
| 6 | 1 | 283557-01 | WIRE ASSEMBLY, 16 GAUGE, BLACK |

MAXON[®] 11921 Slauson Ave. Santa Fe Springs, CA. 90670 (800) 227-4116 FAX (888) 771-7713

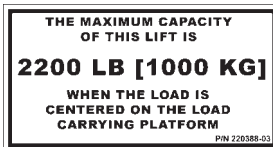
ATTACH DECALS



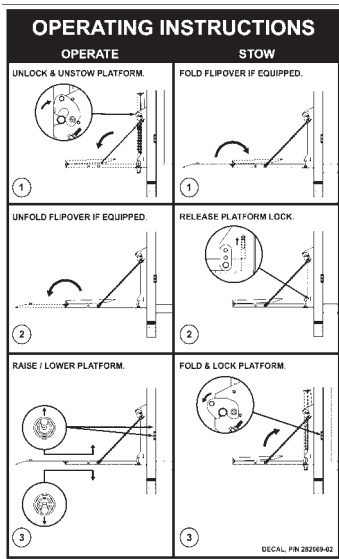
WARNING DECAL
P/N 282847-01



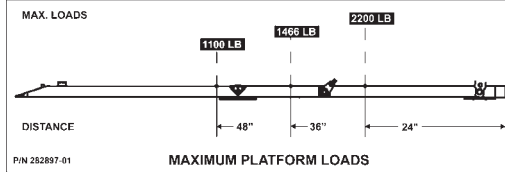
CAPACITY DECAL (DMD-33 ONLY)
P/N 220388-02



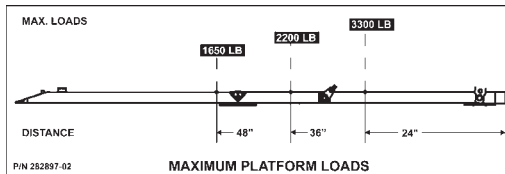
CAPACITY DECAL (DMD-22 ONLY)
P/N 220388-03



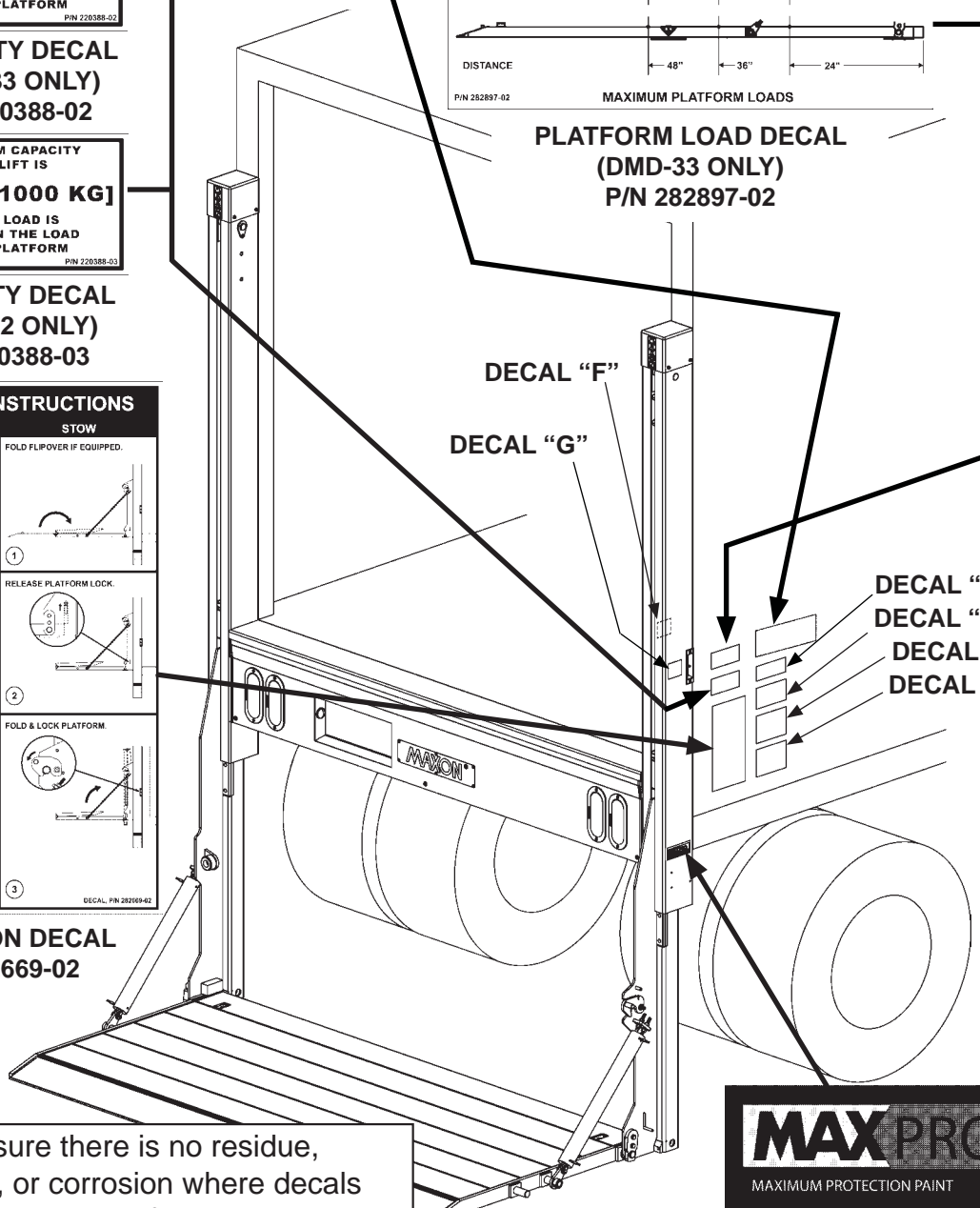
OPERATION DECAL
P/N 282669-02



PLATFORM LOAD DECAL (DMD-22 ONLY)
P/N 282897-01



PLATFORM LOAD DECAL (DMD-33 ONLY)
P/N 282897-02



NOTE: Ensure there is no residue, dirt, or corrosion where decals are attached. If necessary, clean surface before attaching decals.



PAINT DECAL (2 PLACES)
P/N 267338-01

MAXON
11921 Slauson Ave. Santa Fe Springs, CA. 90670 (800) 227-4116 FAX (888) 771-7713

FIG. 92-1

SAFETY INSTRUCTIONS

Read all decals and operation manual before operating liftgate.

1. Do not use liftgate unless you have been properly instructed and have read, and are familiar with, the operating instructions.
2. Be certain vehicle is properly and securely braked before using the liftgate.
3. Always inspect this liftgate for maintenance or damage before using it. Do not use liftgate if it shows any sign of damage or improper maintenance.
4. Do not overload
5. Make certain the area in which the platform will open and close is clear before opening or closing the platform.
6. Make certain platform area, including the area in which loads may fall from platform, is clear before and at all times during operation of liftgate.
7. This liftgate is intended for loading and unloading of cargo only. Do not use this liftgate for anything but its intended use.

A

WARNING

Read this information carefully.

- Improper operation of this Liftgate can result in serious personal injury. If you do not have a copy of the operating instructions, please obtain them from your employer, distributor, or lessor before you attempt to operate Liftgate.
- If there are signs of improper maintenance, damage to vital parts, or slippery platform surface, do not use the Liftgate until these problems have been corrected.
- If you are using a pallet jack, be sure it can be maneuvered safely.
- Do not operate a forklift on the platform.
- Do not allow any part of yours or your helper's body to be placed under, within, or around any portion of the moving Liftgate, or its mechanisms, or in a position that would trap them between the platform and the ground or truck when the Liftgate is operated.
- If a helper is riding the platform with you, make sure you are both doing so safely and that you are not in danger of coming in contact with any moving or potentially moving obstacles.
- **USE GOOD COMMON SENSE.**
- If load appears to be unsafe, do not lift or lower it.

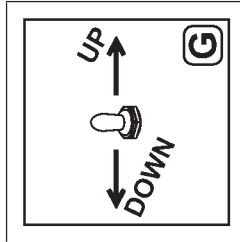
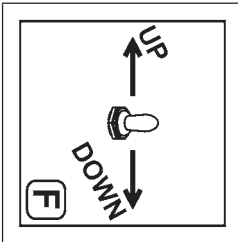
For a free copy of other manuals that pertain to this model Liftgate, please visit our website at www.maxonlift.com or call Customer Service at (800) 227-4116.

B

CAUTION

Always stand clear of platform area.

E



WARNING

Liftgate hazards can result in crushing or falling.

Keep hands and feet clear of pinch points.

If riding liftgate, make sure load is stable and footing is solid.

D



Read and understand all instructions and WARNINGS before use.

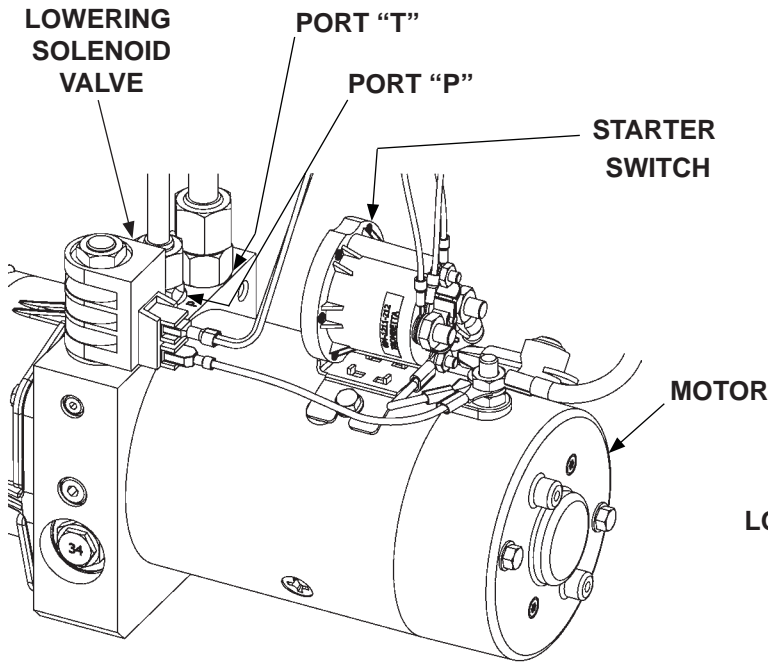
DECAL SHEET
P/N 284216-01
FIG. 93-1

SYSTEM DIAGRAMS

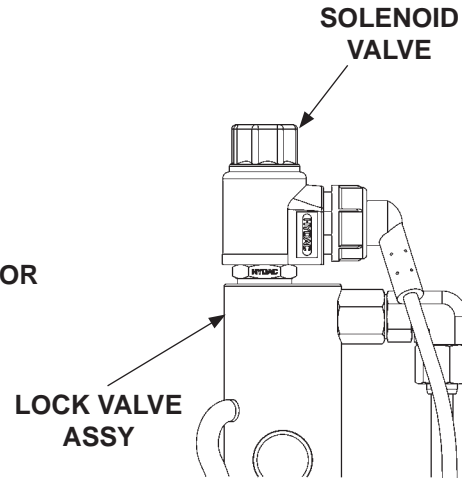
PUMP & MOTOR SOLENOID OPERATION

MAXON[®]

11921 Slauson Ave. Santa Fe Springs, CA. 90670 (800) 227-4116 FAX (888) 771-7713



**POWER UNIT
FIG. 94-1**



**HYDRAULIC LOCK VALVE
(LH COLUMN CUT-AWAY SHOWING
TOP OF LH CYLINDER)
FIG. 94-2**

NOTE: Hydraulic lock valves located on LH cylinder.

| POWER UNIT MOTOR & SOLENOID OPERATION | | | | |
|---|------|---|-------------------------|------------|
| LIFTGATE FUNCTION | PORT | SOLENOID OPERATION (✓ MEANS ENERGIZED) | | |
| | | MOTOR | LOWERING SOLENOID VALVE | LOCK VALVE |
| RAISE | P | ✓ | - | ✓ |
| LOWER | T | - | ✓ | ✓ |
| REFER TO VALVES SHOWN ON HYDRAULIC SCHEMATIC | | | | |

TABLE 94-1

HYDRAULIC SCHEMATIC

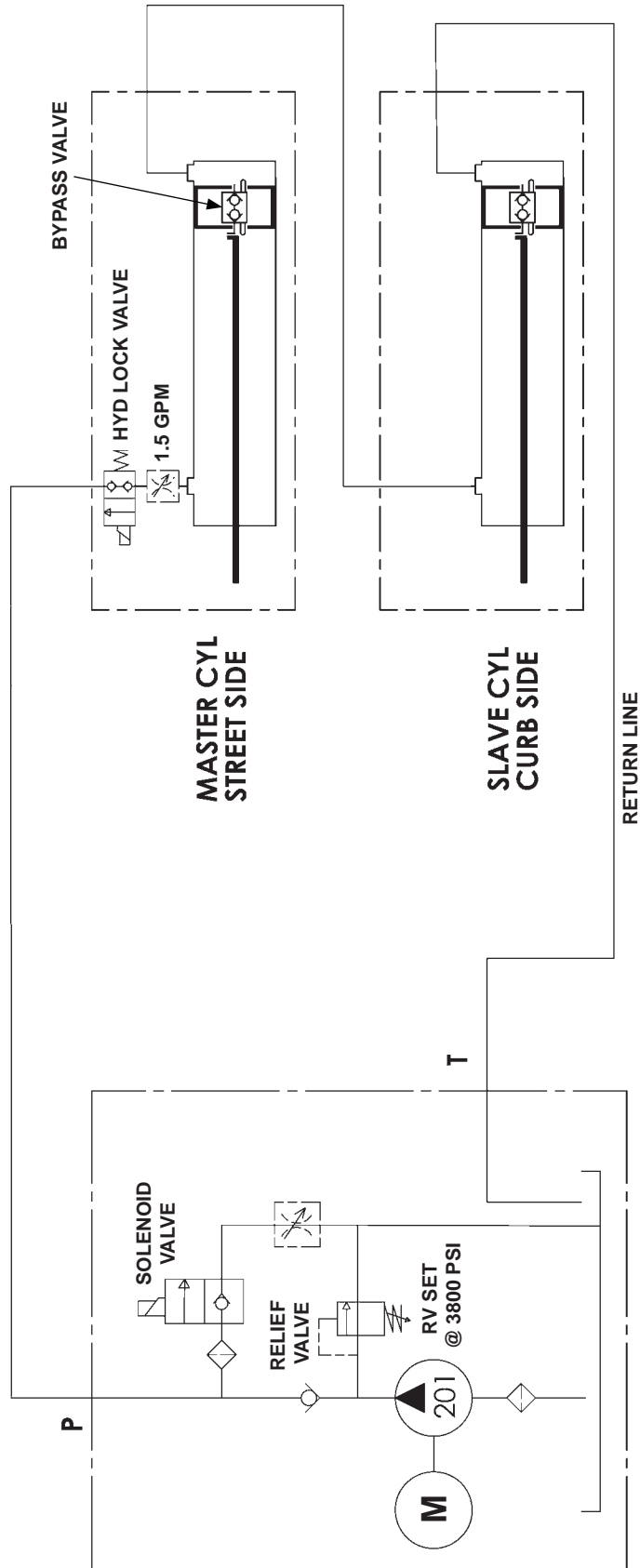


FIG. 95-1

SYSTEM DIAGRAMS ELECTRICAL SCHEMATIC

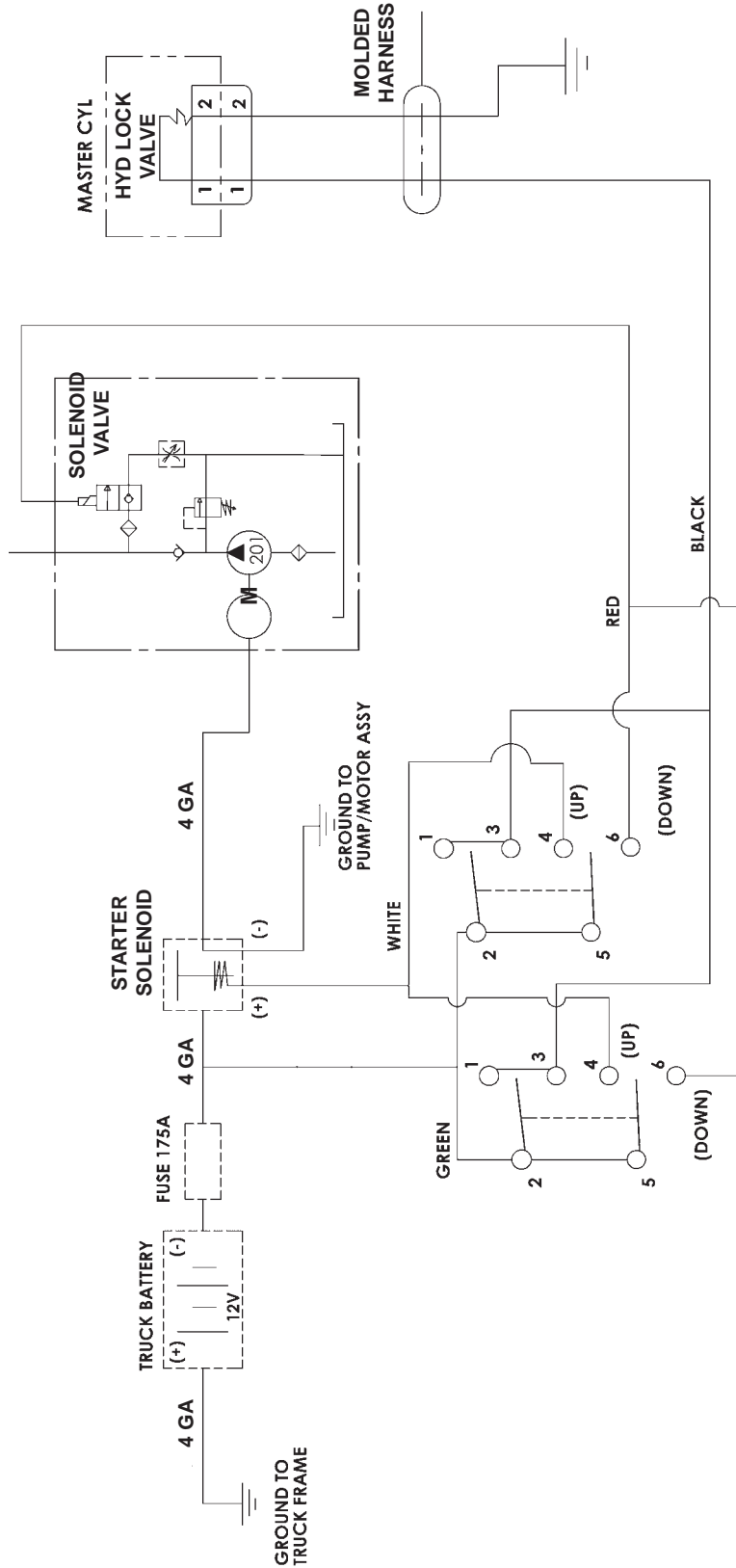
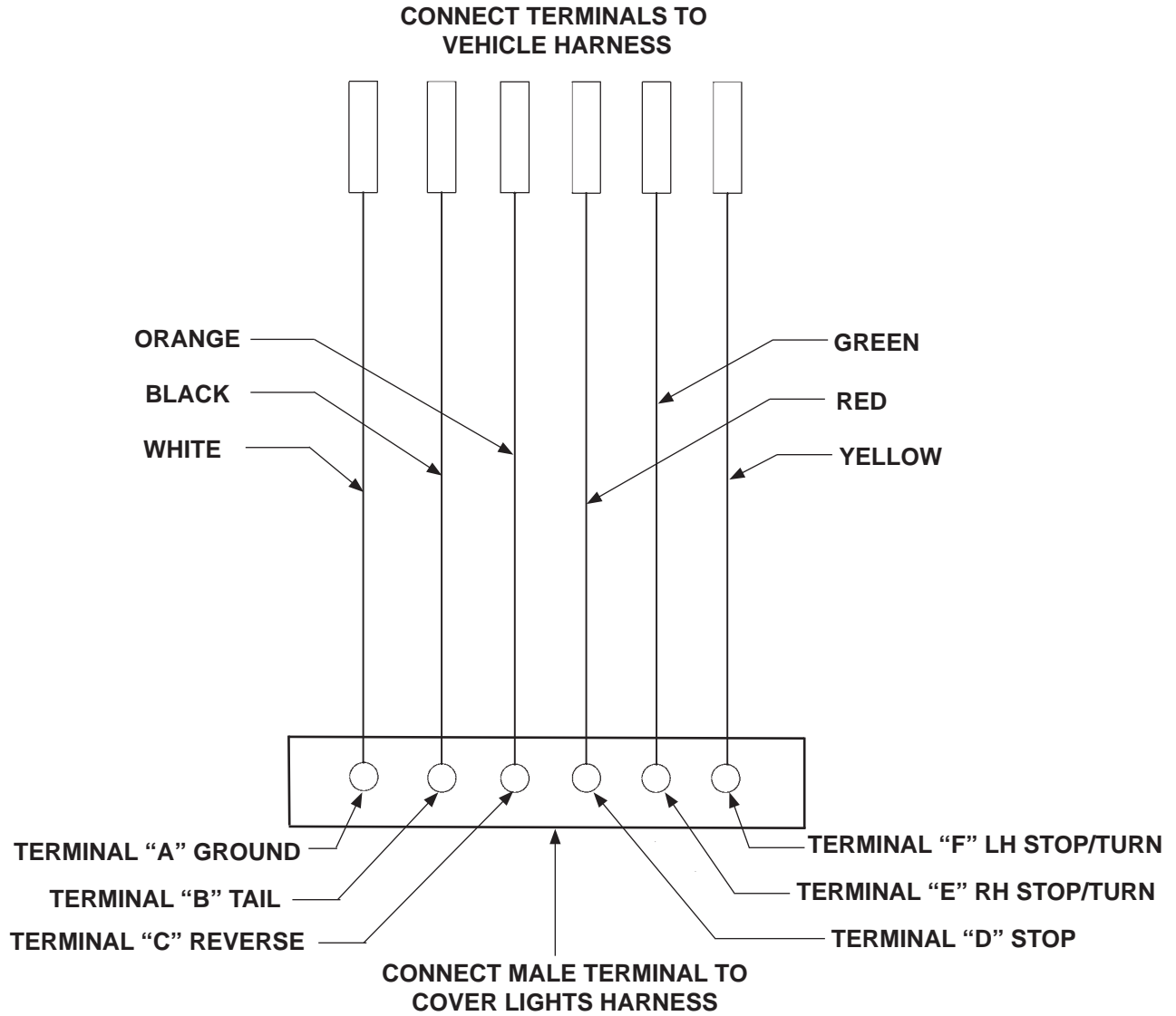


FIG. 96-1

ELECTRICAL SCHEMATIC - JUMPER HARNESS ASSEMBLY

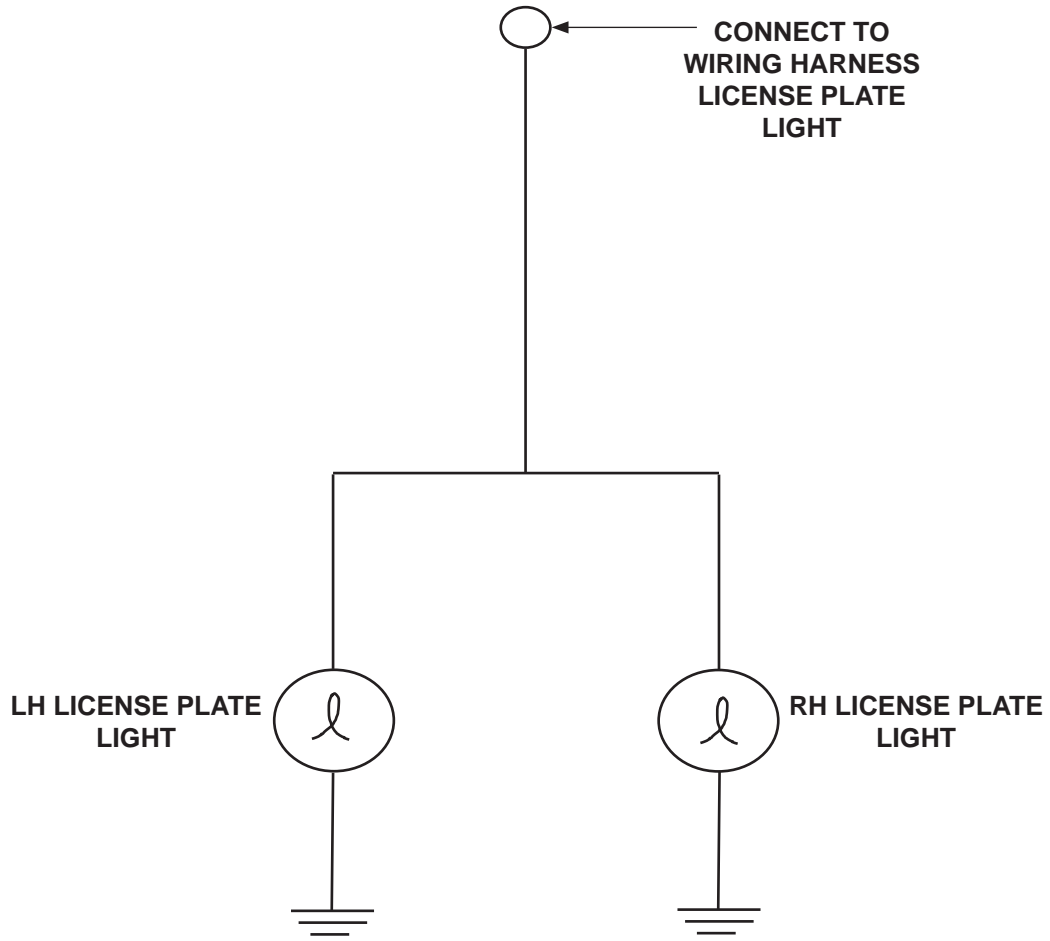


SYSTEM DIAGRAMS

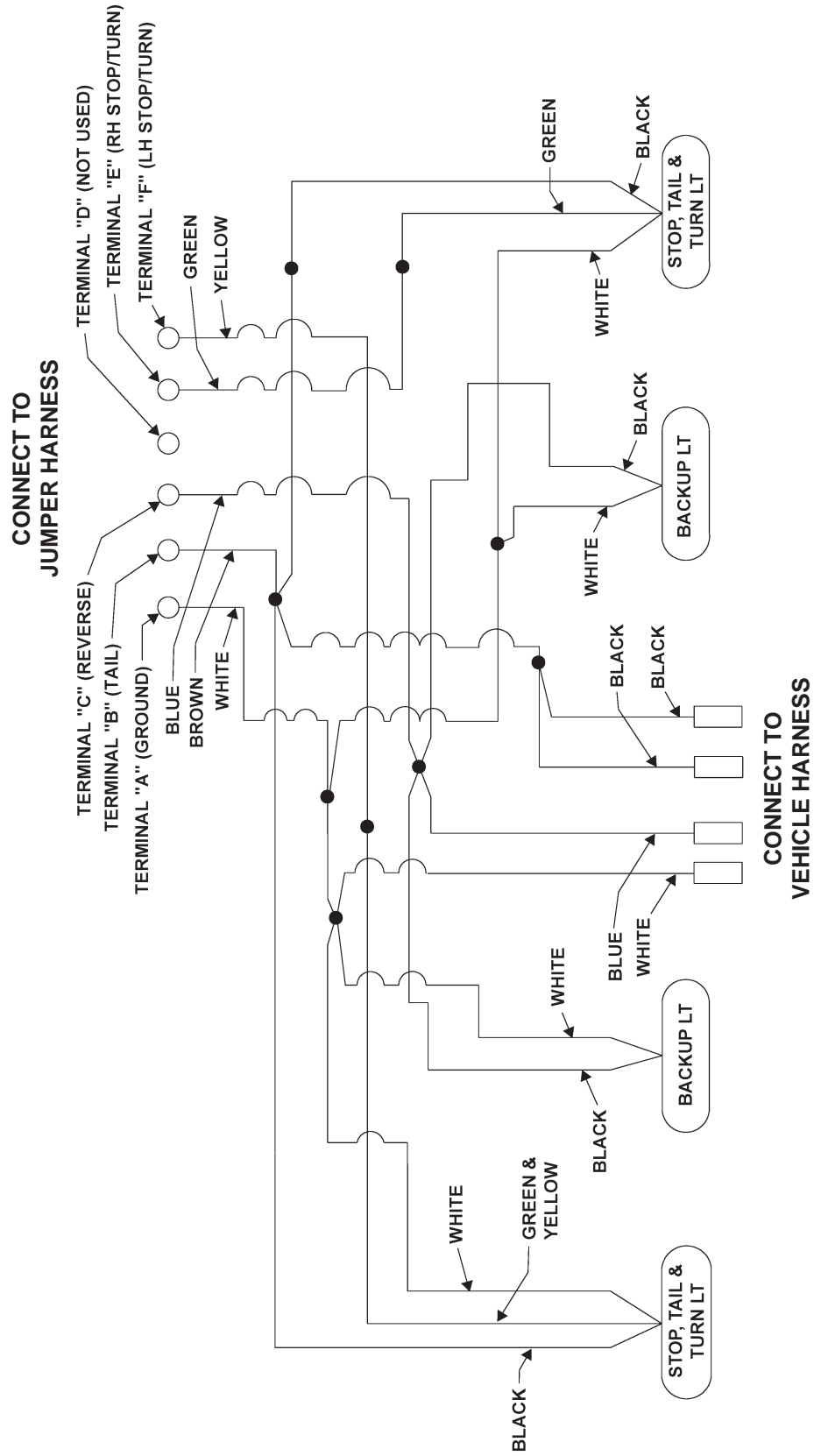
ELECTRICAL SCHEMATIC - HOUSING COVER ASSEMBLY (WITHOUT LIGHTS)

MAXON[®]

11921 Slauson Ave. Santa Fe Springs, CA. 90670 (800) 227-4116 FAX (888) 771-7713



ELECTRICAL SCHEMATIC - HOUSING COVER ASSEMBLY (WITH FOUR LIGHTS)



SYSTEM DIAGRAMS

ELECTRICAL SCHEMATIC - HOUSING COVER ASSEMBLY, FOREIGN VEHICLE (WITH 6 LIGHTS)

